



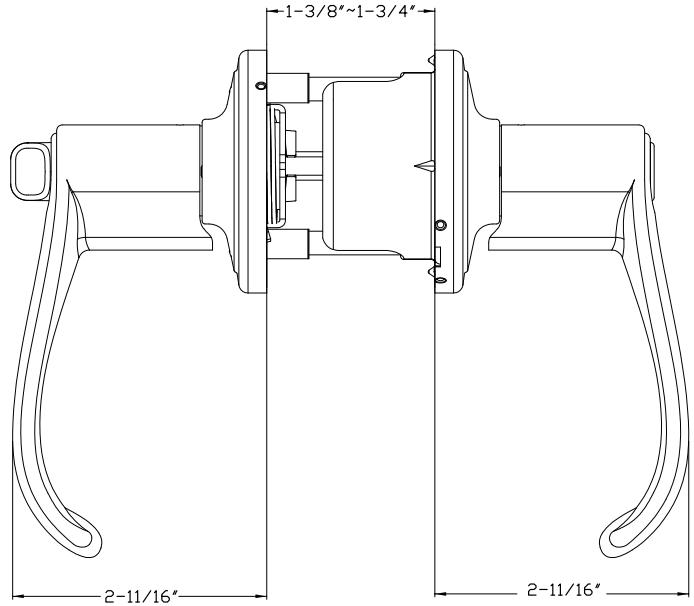
VONCET ^{*NEW*}

GRADE 2

Specifications

Door Prep	Cross bore: 2-1/8" Edge bore: 1" Latch face: 1" x 2-1/4"	Latches	Entrance: 2-3/8" & 2-3/4" 6-way adjustable Passage/Privacy: 2-3/8" & 2-3/4" 6-way adjustable Faceplate: 1" x 2-1/4" round corner Bolt: 1/2" throw
Backset	Fits 2-3/8" and 2-3/4"	Strikes	1-3/4" x 2-1/4" full lip round corner (9103)
Door Thickness	1-3/8" ~ 1-3/4" door standard	Wood Screws	Combination screws that suit both wood or metal door mounting
Cylinder	SC1 5-pin standard . Entries packed KA5 KW1 5-pin optional	Grade 2 Features	<ul style="list-style-type: none"> • Concealed screws • Panic Proof • UL Rated • Full Protection Collar

Door Handing:
Non-Handed



VISUAL BOX PACKAGING

Model	Function	WT/ CTN	CTN QTY		US15 Satin Nickel	US12P Tuscany Bronze
500TT-VT-GR2	Entrance	26 Lbs	20 Pcs	Item No.	320420	320427
501TT-VT-GR2	Passage	23 Lbs	20 Pcs	Item No.	324420	324427
502TT-VT-GR2	Privacy	24 Lbs	20 Pcs	Item No.	322420	322427
515TT-VT-GR2	Dummy (Pair)	15 Lbs	10 Pair	Item No.	325420	325427