

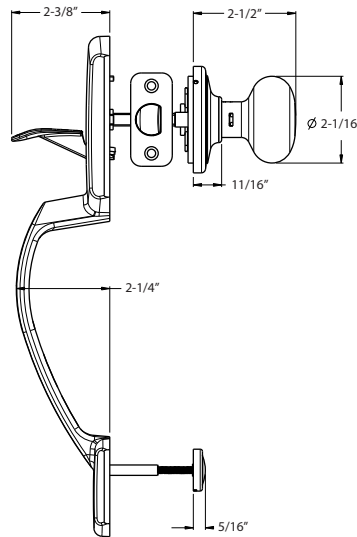
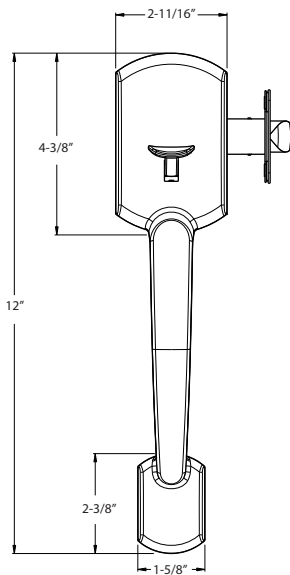
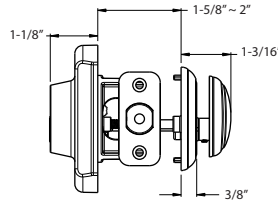
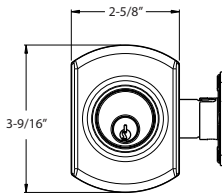


DELANEY®

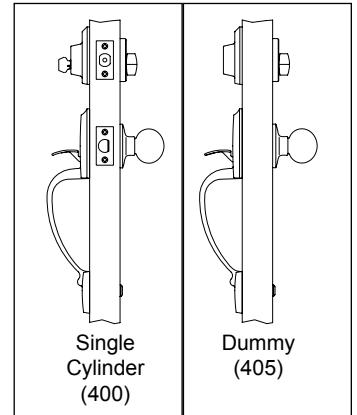
KATANA ENTRANCE HANDLESETS GRADE 2

Specifications

Door Prep	Deadbolt cross bore: 2-1/8" Handleset cross bore: 2-1/8" Edge bore: 1" Latch face: 1" x 2-1/4" Mounting (center to center): 5-1/2" recommended	Strikes	Deadbolt: 2-1/4" Rd. & Sq. corner (9111 & 9117) Thumbpiece: 2-1/4" full lip round corner (9103)
		Cylinder	KW1 5-pin standard SC1 5-pin optional. Handlesets packed KD
Backset	Fits 2-3/8" and 2-3/4"	Door Handing	Specify handing when ordering lever as interior option
Latches	Deadbolt: 2-3/8" and 2-3/4" adjustable (9092) Faceplate: 1" x 2-1/4" round corner Bolt: Solid Brass with hardened steel rod, full 1" throw Handle: 2-3/8" and 2-3/4" adjustable (9080R) (for lever and knob) Faceplate: 1" x 2-1/4" round corner Bolt: Solid Brass 1/2" throw	Door Thickness	1-3/8" ~ 1-3/4" door standard, 2-1/4" Ext. Kits Available.
		Wood Screws	Combination screws that suit both wood or metal door mounting. Includes 3" Security Screws.



FUNCTIONS



BOX PACKAGING

Model	Function	WT/CTN	CTN QTY					
				US15 Satin Nickel	US26 Polished Chrome	US19 Black	US12P Tuscany Bronze	
GR2 400-KA/AU	Single Cylinder	28 Lbs	4 Pcs	Item No.	340100	340102	340109	340107
				List Price				
GR2 405-KA/AU	Dummy	24 Lbs	4 Pcs	Item No.	340101	340112	340119	340117
				List Price				