



DELANEY®

Contemporary Square Sliding Door Lock Installation Instructions

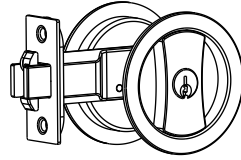
Read this guide thoroughly before installation and follow the instructions.

This product is designed for lightweight interior doors. Do not use it on exterior or heavy metal doors.

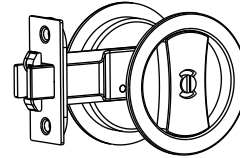
Door Thicknesses

Entry : 35 mm~55 mm

Privacy : 31 mm~51 mm







Entry



Privacy

Select the length of mounting screws based on the thickness of the door.

Door thicknesses	Length of mounting screw
31~35 mm	 12 mm
35~40 mm	 18 mm
40~45 mm	 22 mm
45~55 mm	 28 mm

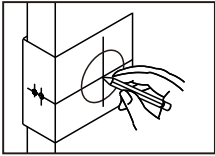
Tailpiece lengths (Entry)

Door thicknesses	Length
35~41 mm	23 mm
41~48 mm	31 mm
48~55 mm	39 mm

(Privacy)

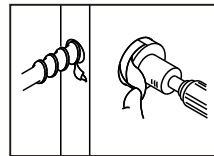
Door thicknesses	Length
31~36 mm	29 mm
36~44 mm	37 mm
44~51 mm	45 mm

Mark Door with Template

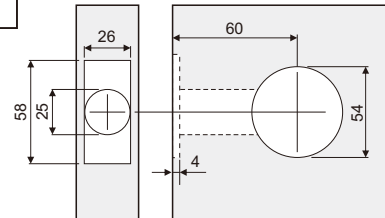


Fold the paper guide and place it on the corner of the door 914 mm from the floor. Make markings on the face and side of the door with the holes on the paper guide.

Drill Holes



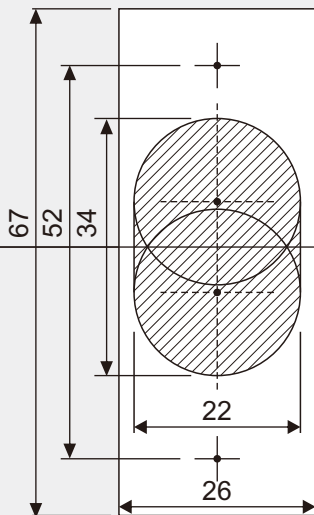
Drill the 54 mm-diameter lock body hole on the face of the door and the 25 mm diameter latch bolt hole on the side of the door as indicated by the markings.



(Unit : mm)

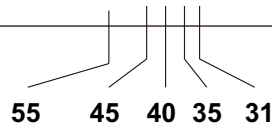


STRIKE TEMPLATE



TEMPLATE Right-handed door

Fold on dotted line and fit on door edge

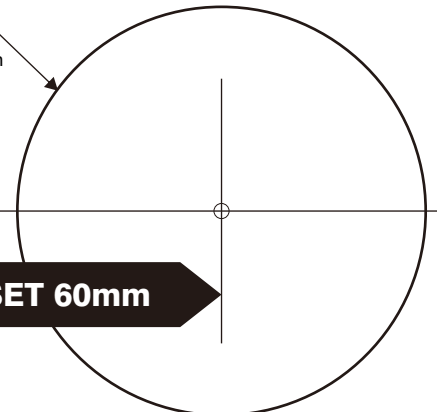


Make 25 mm hole at center of door edge.

Ø54mm

Caution: Drill from both faces of the door to prevent door cracking.

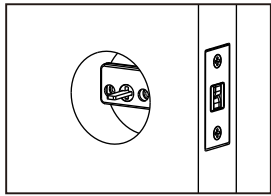
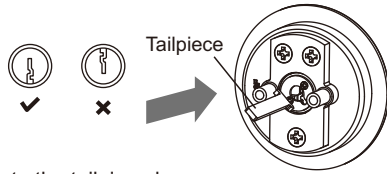
FOR BACKSET 60mm



Install Latch and Outside Lock

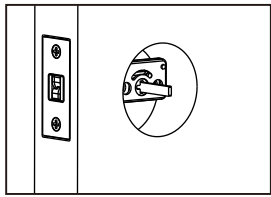
Entry Lock

Note the correct orientation of the keyhole.
Select the appropriate length for the tailpiece based on the thickness of the door.
Insert the tailpiece at an angle into the tailpiece base.
When the door is below 35 mm in thickness, use a plastic washer.



Right-handed door

Turn the tailpiece to a horizontal position and insert it through the latch transmission plate.



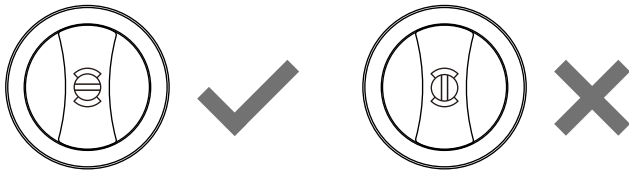
Left-handed door

Turn the tailpiece to a vertical position and insert it through the latch transmission plate.

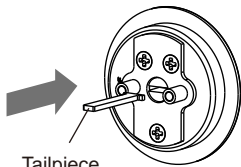


Privacy & Communicating Lock

Turn the indicator to the green (unlocked) position.



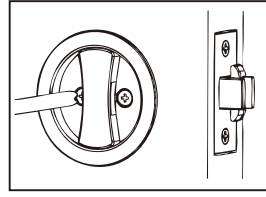
Select the appropriate length for the tailpiece based on the thickness of the door.
Insert the tailpiece into the tailpiece base, turn in to the horizontal orientation, and push it through the latch transmission plate.



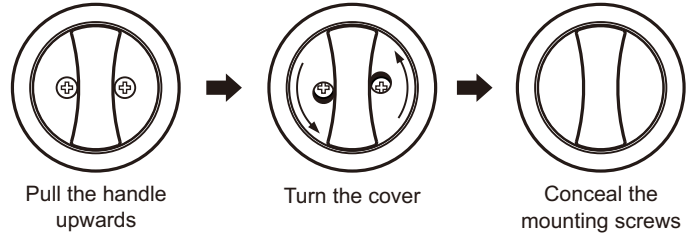
The tailpiece should be in the horizontal orientation.

Install the Inside Lock

Pull the handle upwards and turn the decorative cover to expose the mounting holes.
Select the length of mounting screws based on the thickness of the door and secure the inside lock body.
Turn the handle to check if it works properly.

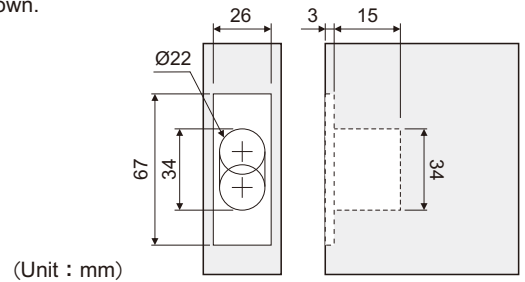


Pull the handle upwards, turn the decorative cover, and then turn the handle again to conceal mounting screws.

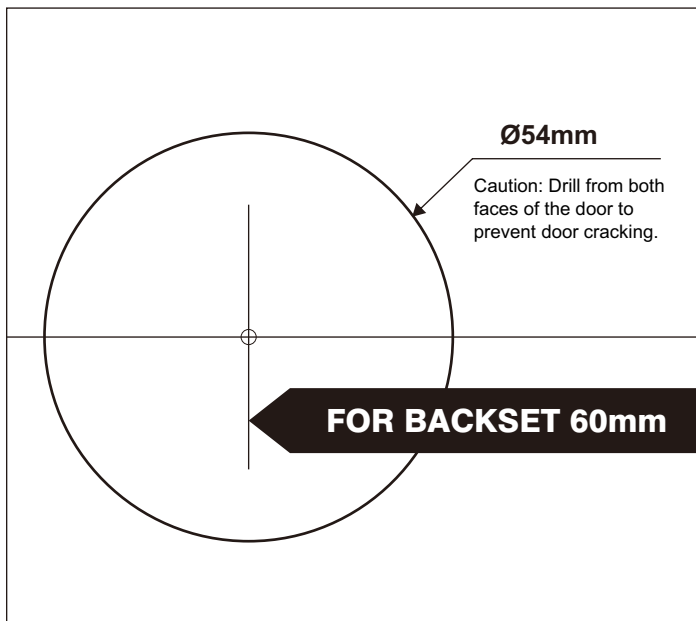
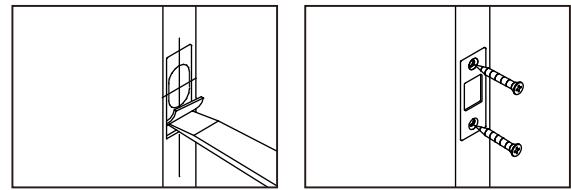


Install Strike

On the door frame, align the center of the strike with the center of the latch bolt faceplate and trace its edges.
Drill holes as shown.

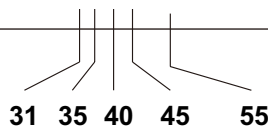


Chisel a 3 mm-deep indentation within the traces of the strike.
Place the strike flush with the door frame and secure it with screws.



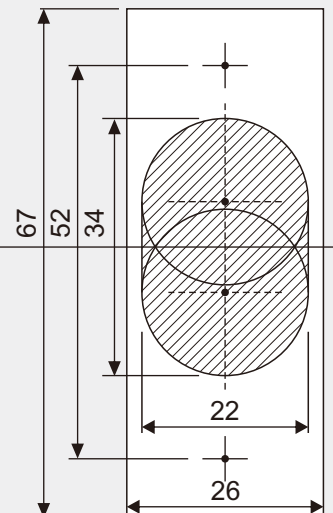
TEMPLATE Left-handed door

Fold on dotted line and fit on door edge



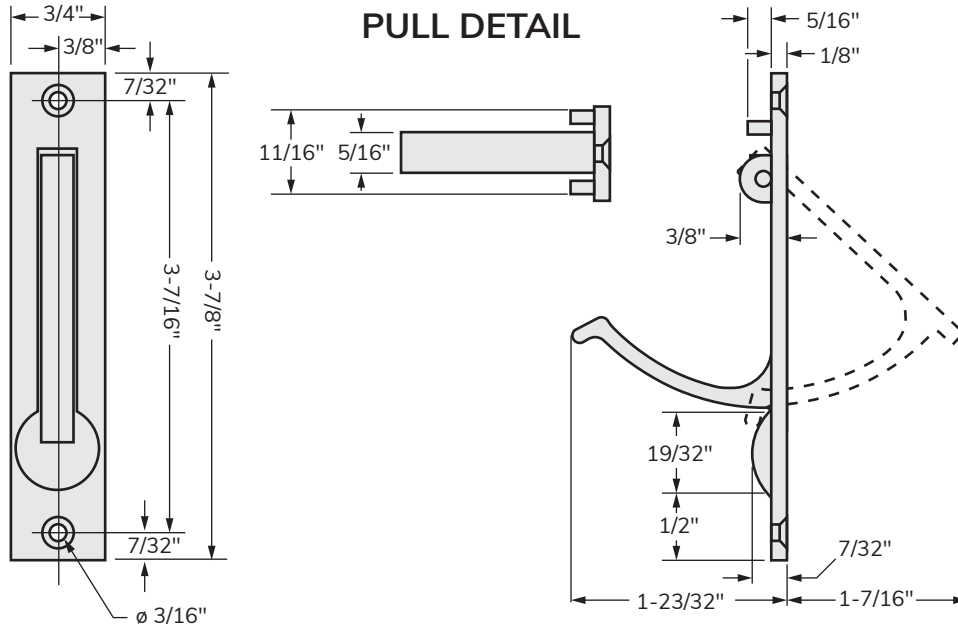
Make 25.4mm hole at center of door edge.

STRIKE TEMPLATE



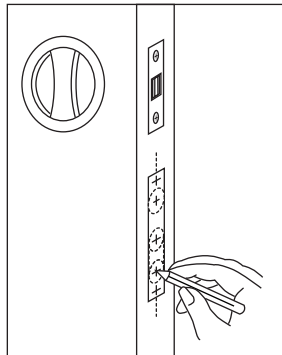
Pocket Door Pull Latch Installation Instructions

Read this guide thoroughly before installation and follow the instructions. This product is designed for lightweight interior doors. Do not use it on exterior or heavy metal doors.



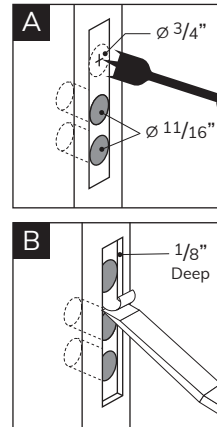
- Tools You Will Need**
- Sharp Pencil
 - Hammer
 - Phillips Screwdriver
 - Sharp 1/4" Chisel
 - Sharp 1/2" Chisel
 - Measuring Tape
 - 11/16" Drill or Spade Bit
 - 3/4" Drill or Spade Bit

1. Mark the Pull Layout on the Door



You will want to mark the bottom of where you will want the finger pull mounted (in our case, we are mounting the pull below the pocket door lock that is installed). After you have marked it, center your edgepull on the door edge by using your measuring tape if needed or the below template. After you have it all centered, map out with your pencil and chisel where the edge pull will sit on the floor.

2. Drill the Holes & Chisel the Plate Mortise

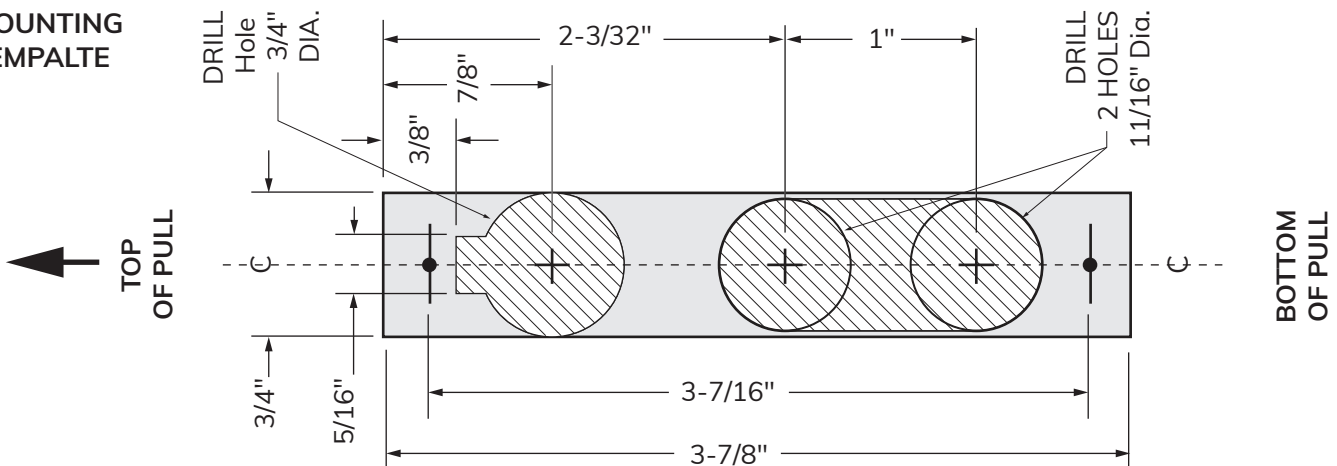


A. Drill (1) 3/4" and (2) 11/16" holes as shown on the layout. See hole depths in the door detail illustration on the next page.

B. Using the 1/2" Chisel mortise about 1/8" deep of the door wood making sure not to go outside the lines. It's important to make sure your chisel is sharp to achieve a clean look.

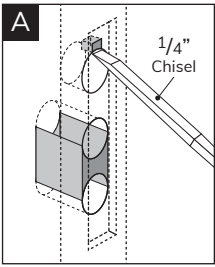


MOUNTING TEMPLATE

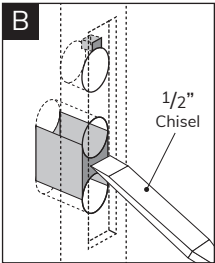


3. Chisel the Pull & Hinge Recess Areas

4. Install the Door Pull

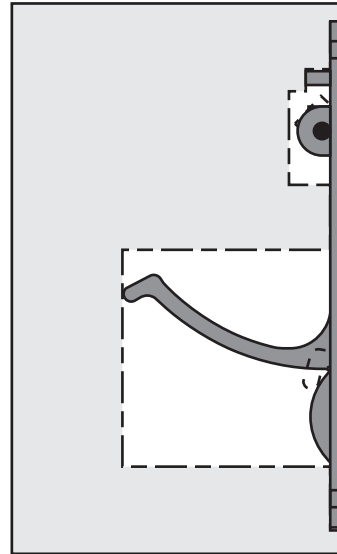


A. Next, using the 1/4" Chisel remove the small area of wood above the top hole for the finger pull barrel hinge housing.



B. With the 1/2" Chisel remove the wood between the two lower holes so the finger pull could move freely in and out of the door.

(See below Door Detail for mortise depth and width)



After removing all the leftover material, place the finger pull where it should sit to test fit and make sure it will move freely. Secure into position using the supplied screws.

Now you will be able to easily use your pocket door lock with edge pull.

DOOR DETAIL

