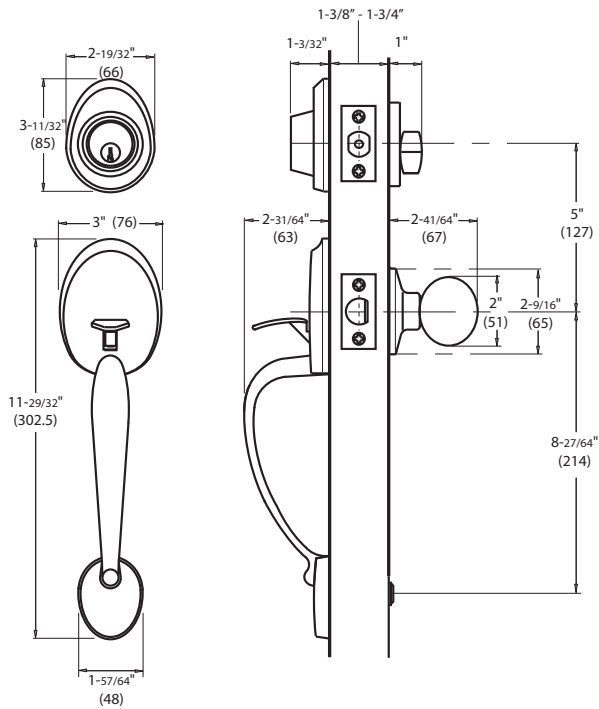


WATERFORD®

GRADE 2



DIMENSIONS

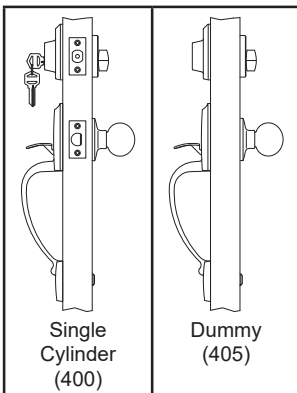


STANDARD SPECIFICATIONS

Door Prep	Deadbolt cross bore: 2-1/8" Handleset cross bore: 2-1/8" Edge bore: 1" Latch face: 1" x 2-1/4" Mounting (center to center): 5-1/2" recommended
Backset	Fits 2-3/8" and 2-3/4"
Door Thickness	1-3/8" ~ 1-3/4" door standard, 2-1/4" Ext. Kits Available.
Cylinder	KW1 5-pin standard (Solid Brass) SC1 5-pin optional. Handlesets packed KD
Latches	Deadbolt: 2-3/8" and 2-3/4" adjustable (L90A0RM) Faceplate: 1" x 2-1/4" round corner Bolt: Solid Brass with hardened steel rod, full 1" throw Handle: 2-3/8" and 2-3/4" adjustable (9079R) (for lever and knob) Faceplate: 1" x 2-1/4" round corner Bolt: Solid Brass 1/2" throw
Strikes	Deadbolt: 2-1/4" Rd. & Sq. corner (9111 & 9117) Thumbpiece: 2-1/4" full lip round corner (9103) Includes Reinforcement Strike
Wood Screws	Combination screws that suit both wood or metal door mounting. Includes 3" Security Screws.
Door Handing	Specify handing when ordering lever as interior option
Grade 2 Features	<ul style="list-style-type: none"> High Security Strike Plate Assembly Reinforced Spring Assembly

Model	Function	WT/CTN	CTN QTY	US15 Satin Nickel		US12P Tuscany Bronze	
				Item No.	List Price	Item No.	List Price
400-WF-G2	Single Cylinder	41 Lbs	6 Pcs	340800		340810	
405-WF-G2	Dummy	36 Lbs	6 Pcs	340801		340811	

FUNCTIONS



DELANEY®

Copyright © THE DELANEY CO. All rights reserved.