

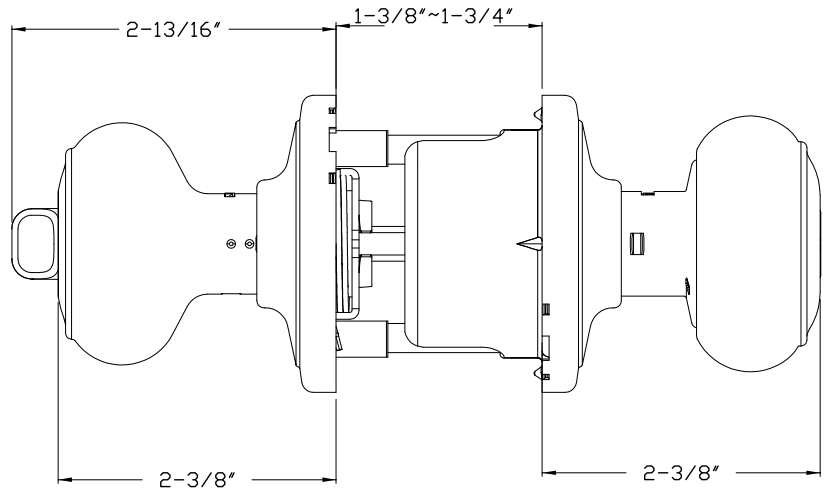


ORLYN ***NEW***

GRADE 2

Specifications

Door Prep	Cross bore: 2-1/8" Edge bore: 1" Latch face: 1" x 2-1/4"	Latches	Entrance: 2-3/8" & 2-3/4" 6-way adjustable Passage/Privacy: 2-3/8" & 2-3/4" 6-way adjustable Faceplate: 1" x 2-1/4" round corner Bolt: 1/2" throw
Backset	Fits 2-3/8" and 2-3/4"	Strikes	1-3/4" x 2-1/4" full lip round corner (9103)
Door Thickness	1-3/8" ~ 1-3/4" door standard	Wood Screws	Combination screws that suit both wood or metal door mounting
Cylinder	SC1 5-pin standard . Entries packed KA5 KW1 5-pin optional	Grade 2 Features	• Concealed screws • Panic Proof • UL Rated • Full Protection Collar



VISUAL BOX PACKAGING

Model	Function	WT/CTN	CTN QTY		US15 Satin Nickel	US26 Polished Chrome	US12P Tuscany Bronze
100TT-OR-G2	Entrance	24 Lbs	12 Pcs	Item No.	311422	311426	311427
101TT-OR-G2	Passage	22 Lbs	12 Pcs	Item No.	314422	314426	314427
102TT-OR-G2	Privacy	22 Lbs	12 Pcs	Item No.	312422	312426	312427
115TT-OR-G2	Dummy (Pair)	21 Lbs	12 Pair	Item No.	315422	315426	315427