

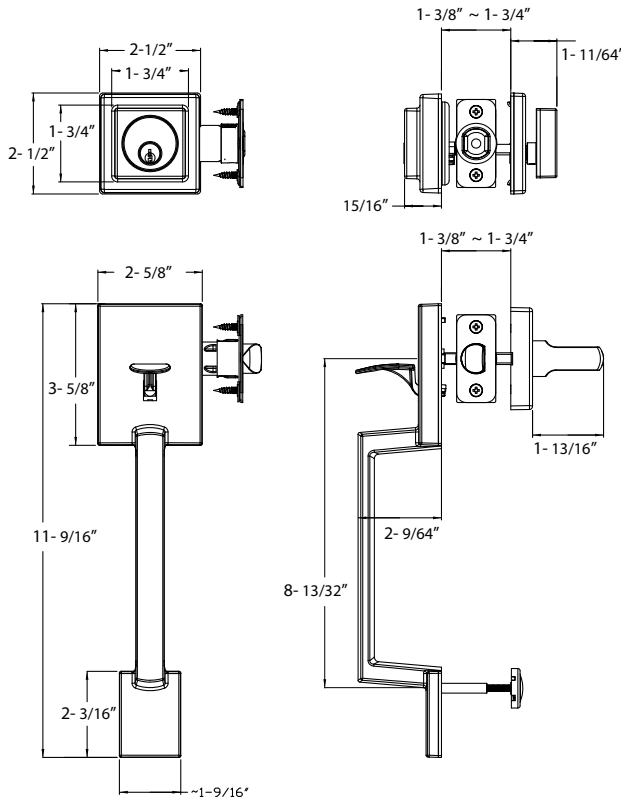


DELANEY®

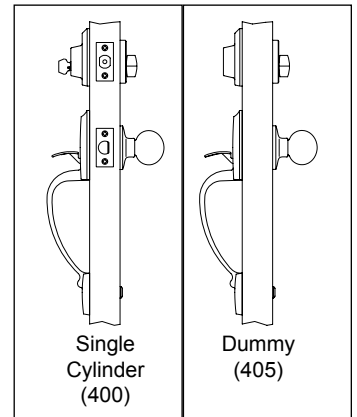
AVINO ENTRANCE HANDLESETS GRADE 3

Specifications

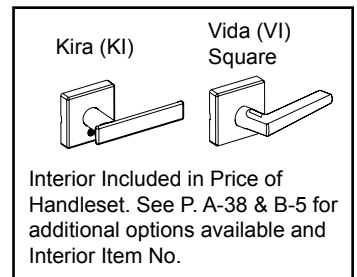
Door Prep	Deadbolt cross bore: 2-1/8" Handleset cross bore: 2-1/8" Edge bore: 1" Latch face: 1" x 2-1/4" Mounting (center to center): 5-1/2" recommended	Strikes	Deadbolt: 2-1/4" Rd. & Sq. corner (9111 & 9117) Thumbpiece: 2-1/4" full lip round corner (9103)
		Cylinder	KW1 5-pin standard SC1 5-pin optional. Handlesets packed KD
Backset	Fits 2-3/8" and 2-3/4"	Door Handing	Specify handing when ordering lever as interior option
Latches	Deadbolt: 2-3/8" and 2-3/4" adjustable (9092) Faceplate: 1" x 2-1/4" round corner Bolt: Solid Brass with hardened steel rod, full 1" throw Handle: 2-3/8" and 2-3/4" adjustable (9080R) (for lever and knob) Faceplate: 1" x 2-1/4" round corner Bolt: Solid Brass 1/2" throw	Door Thickness	1-3/8" ~ 1-3/4" door standard, 2-1/4" Ext. Kits Available.
		Wood Screws	Combination screws that suit both wood or metal door mounting. Includes 3" Security Screws.



FUNCTIONS



INTERIOR OPTIONS



BOX PACKAGING

Model	Function	WT/CTN	CTN QTY	US15 Satin Nickel	US26 Polished Chrome	US19 Matte Black	US12P Tuscany Bronze
400-AV	Single Cylinder	42 Lbs	10 Pcs	Item No.	D40201	D40206	D40209
				List Price			
405-AV	Dummy	35 Lbs	10 Pcs	Item No.	D45201	D45206	D45209
				List Price			