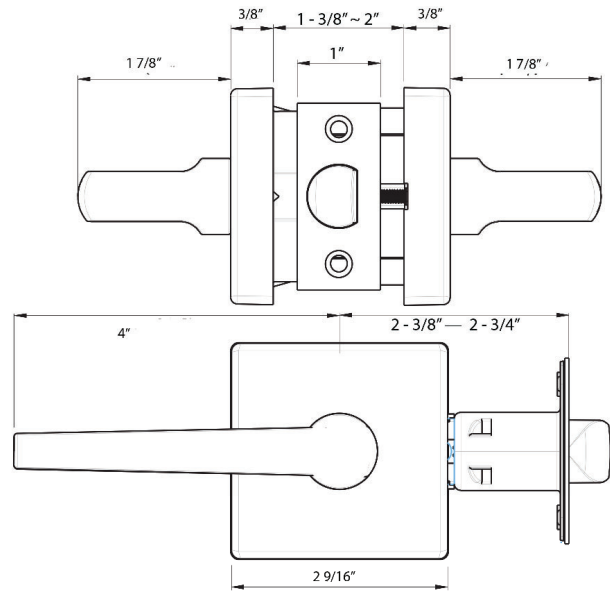


DELANEY® LEVERS GRADE 3

TULINA™ SQUARE GRADE 3

Specifications

Door Prep	Cross bore: 2-1/8" Edge bore: 1" Latch face: 1" x 2-1/4"	Latches	Entrance: 2-3/8" & 2-3/4" 6-way adjustable (9045R) Passage/Privacy: 2-3/8" & 2-3/4" 6-way adjustable (9046R) Faceplate: 1" x 2-1/4" round corner Bolt: 1/2" throw
Backset	Fits 2-3/8" and 2-3/4"	Strikes	1-3/4" x 2-1/4" full lip round corner (9103)
Door Thickness	1-3/8" ~ 1-3/4" door standard	Wood Screws	Combination screws that suit both wood or metal door mounting
Cylinder	KW1 5-pin standard SC1 5-Pin optional. Entries packed KA5	Door Handing	Not Required



Model	Function	WT/ CTN	CTN QTY		US15 Satin Nickel	US26 Polished Chrome	US19 Black
500T - TA	Entrance	26 Lbs	20 Pcs	Item No.	D20220S	D20226S	D20229S
				List Price			
500TP - TA	Push Button Entrance (Panic Proof)	26 Lbs	20 Pcs	Item No.	D20220PS	D20226PS	D20229PS
				List Price			
501T - TA	Passage	23 Lbs	20 Pcs	Item No.	D24220S	D24226S	D24229S
				List Price			
502T - TA	Privacy	24 Lbs	20 Pcs	Item No.	D22220S	D22226S	D22229S
				List Price			
502TP - TA	Push Button Privacy (Panic Proof)	24 Lbs	20 Pcs	Item No.	D22220PS	D22226PS	D22229PS
				List Price			
515 - TA	Dummy	15 Lbs	20 Pcs	Item No.	D25220S	D25226S	D25229S
				List Price			