

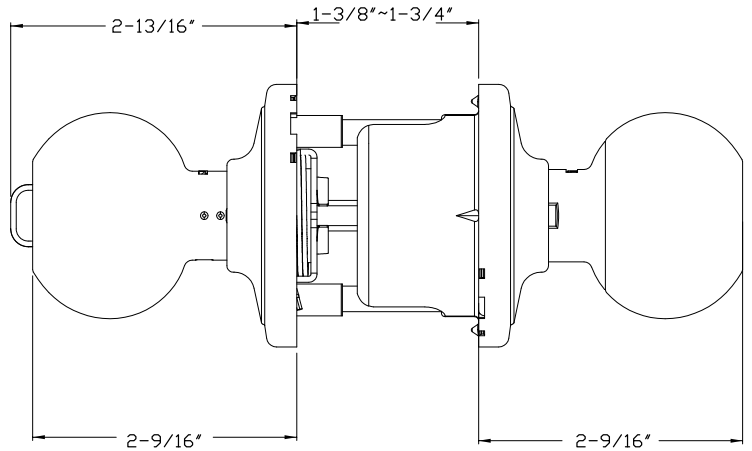


BORDAIN ^{*NEW*}

GRADE 2

Specifications

| | | | |
|-----------------------|--|-------------------------|--|
| Door Prep | Cross bore: 2-1/8" Edge bore: 1" Latch face: 1" x 2-1/4" | Latches | Entrance: 2-3/8" & 2-3/4" 6-way adjustable Passage/Privacy: 2-3/8" & 2-3/4" 6-way adjustable Faceplate: 1" x 2-1/4" round corner Bolt: 1/2" throw |
| Backset | Fits 2-3/8" and 2-3/4" | Strikes | 1-3/4" x 2-1/4" full lip round corner (9103) |
| Door Thickness | 1-3/8" ~ 1-3/4" door standard | Wood Screws | Combination screws that suit both wood or metal door mounting |
| Cylinder | SC1 5-pin standard . Entries packed KA5 KW1 5-pin optional | Grade 2 Features | • Concealed screws • Panic Proof • UL Rated • Full Protection Collar |



VISUAL BOX PACKAGING

| Model | Function | WT/CTN | CTN QTY | | US32D Stainless Steel | US12P Tuscany Bronze |
|-------------|-----------------|--------|---------|----------|--------------------------|-------------------------|
| 100TT-BD-G2 | Entrance | 24 Lbs | 12 Pcs | Item No. | 311322 | 311327 |
| 101TT-BD-G2 | Passage | 22 Lbs | 12 Pcs | Item No. | 314322 | 314327 |
| 102TT-BD-G2 | Privacy | 22 Lbs | 12 Pcs | Item No. | 312322 | 312327 |
| 115TT-BD-G2 | Dummy (Pair) | 21 Lbs | 12 Pair | Item No. | 315322 | 315327 |