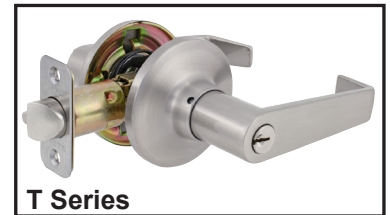
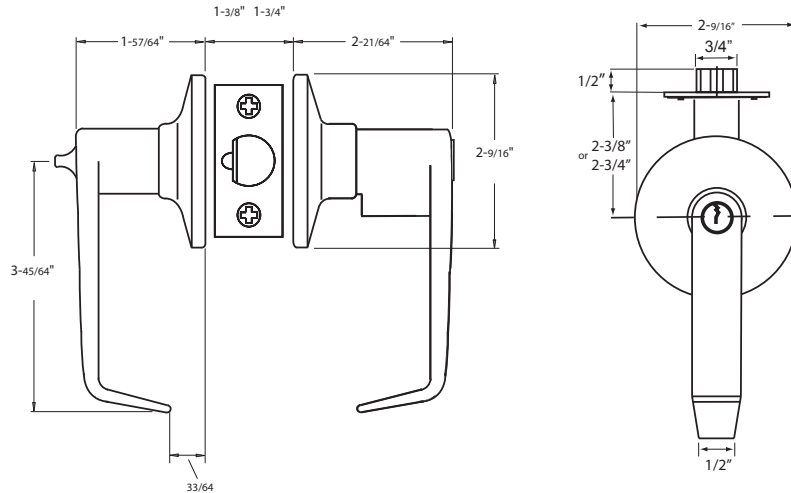


T SERIES - ET STYLE GRADE 3 RESIDENTIAL TUBULAR LEVER



DIMENSIONS



STANDARD SPECIFICATIONS

Door Prep	Cross bore: 2-1/8" Edge bore: 1" Latch face: 1" x 2-1/4"	Latches	Entrance: 2-3/8" & 2-3/4" adjustable (9073) Passage/Privacy: 2-3/8" & 2-3/4" adjustable (9074) Faceplate: 1" x 2-1/4" round corner Bolt: 1/2" throw
Backset	Adjustable 2-3/8" and 2-3/4"	Strikes	1-3/4" x 2-1/4" full lip round corner (9103)
Door Thickness	1-3/8" ~ 1-3/4" door standard	Screws	Combination screws that suit both wood or metal door mounting
Cylinder	KW1 5-pin standard. SC1 5-pin optional Entries packed KA5	Door Handing	Not Required

ITEM DETAILS

Model	Function	WT/LB	CTN QTY	US15 Satin Nickel		US26D Dull Chrome	
				Item No.			
500T - ET	Entrance	26 Lbs	20 Pcs	Item No.	D20320	D20322	
504T - ET	Storeroom	26 Lbs	20 Pcs	Item No.	D26320	D26322	
501T - ET	Passage	23 Lbs	20 Pcs	Item No.	D24320	D24322	
502T - ET	Privacy	24 Lbs	20 Pcs	Item No.	D22320	D22322	
502TP - ET	Push Button Privacy (Panic Proof)	24 Lbs	20 Pcs	Item No.	D22320P	—	
515 - ET	Dummy	15 Lbs	20 Pcs	Item No.	D25320	D25322	



DELANEY

Copyright © DELANEY HARDWARE. All rights reserved.