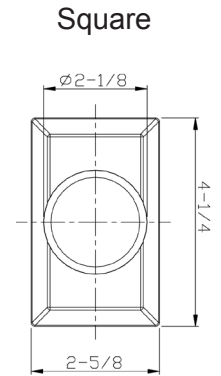
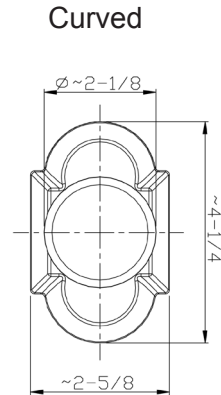
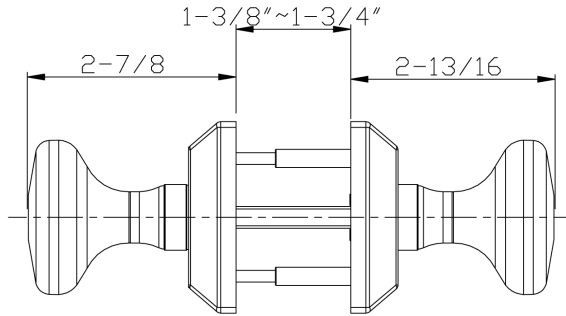


TULUM® SANDCAST COLLECTION



DIMENSIONS



STANDARD SPECIFICATIONS

Door Prep	Cross bore: 2-1/8" Edge bore: 1" Latch face: 1" x 2-1/4"	Latches	Entrance: 2-3/8" & 2-3/4" adjustable (9050R) Passage/Privacy: 2-3/8" & 2-3/4" adjustable (9079R) Faceplate: 1" x 2-1/4" round corner Bolt: 1/2" Solid Brass throw
Backset	Fits 2-3/8" and 2-3/4"	Strikes	1-3/4" x 2-1/4" full lip round corner (9103)
Door Thickness	1-3/8" ~ 1-3/4" door standard.	Wood Screws	Combination screws that suit both wood or metal door mounting
Cylinder	SC4 6-pin standard. KW1 5-Pin Optional. Entries packed KA4	Door Handing	Not Required

Model	Function	WT/CTN	CTN QTY	AP Aged Pewter		ABR Aged Bronze		ABK Aged Black		
				CURVED	SQUARE	CURVED	SQUARE	CURVED	SQUARE	
100T-TU	Entrance	21 Lbs	4 Pcs	Item No.	681508C	681508S	681500C	681500S	681509C	681509S
101T-TU	Passage	31 Lbs	6 Pcs	Item No.	684508C	684508S	684500C	684500S	684509C	684509S
102T-TU	Privacy	31 Lbs	6 Pcs	Item No.	682508C	682508S	682500C	682500S	682509C	682509S
115-TU	Dummy	25 Lbs	12 Pcs	Item No.	685508C	685508S	685500C	685500S	685509C	685509S

FUNCTIONS

Entrance (100)	Passage (101)
Privacy (102)	Dummy (115)



DELANEY®

Copyright © DELANEY HARDWARE. All rights reserved.