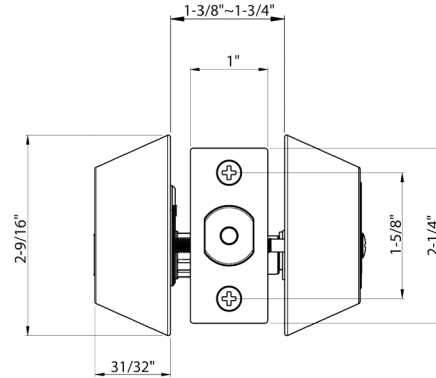
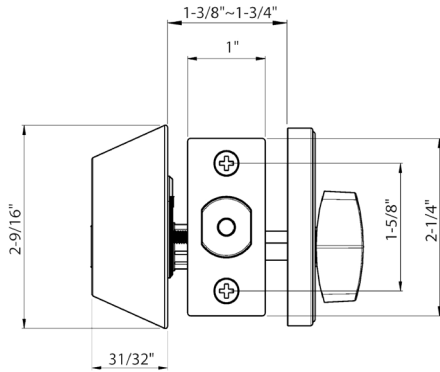


# DEADBOLT



## MANUFACTURED HOUSING SERIES

### DIMENSIONS



Single Cylinder (200)



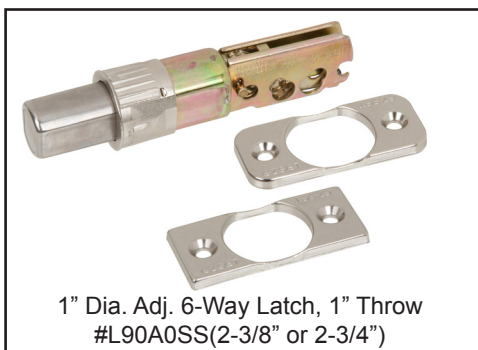
Double Cylinder (210)

### STANDARD SPECIFICATIONS

<b>Door Prep</b>	Cross bore: 2-1/8" Edge bore: 1" Latch face: 1" x 2-1/4"	<b>Latches</b> (6-Way Available)	1" Diameter 6-way Drive-In Latch : 2-3/8" & 2-3/4" adj. (L90A0SS) Faceplate: 1" x 2-1/4" round & square corner Bolt: 1" throw
<b>Backset</b>	Fits 2-3/8" and 2-3/4"	<b>Strikes</b>	2-1/4" round corner (9113)
<b>Door Thickness</b>	1-3/8" ~ 1-3/4" standard.	<b>Wood Screws</b>	Combination screws that suit both wood or metal door mounting
<b>Cylinder</b>	KW1 5-pin <b>standard</b> . Packed KA5 2 Keys Per Lock. Master Keying Available	<b>Features</b>	Waterproof Foam Seal

Model	Function	WT/LB	CTN QTY	US32D	US3	
200-LT	Single Cylinder	27 Lbs	20 Pcs	Item No.	231002M	231003M
210-LT	Double Cylinder	32 Lbs	20 Pcs	Item No.	231012M	231013M

### STANDARD LATCH



### OPTIONAL LATCH

