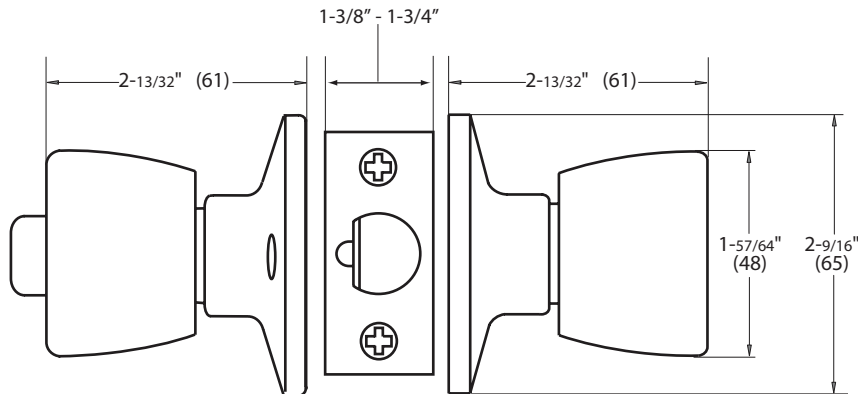


# GUARDIAN

## MANUFACTURED HOUSING SERIES



### DIMENSIONS

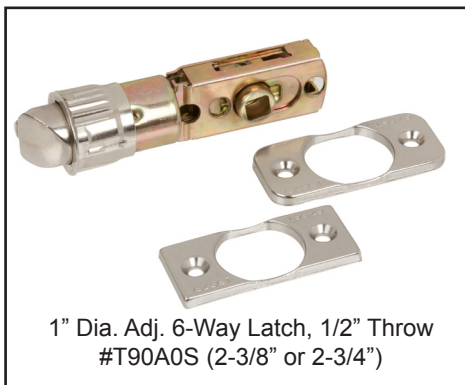


### STANDARD SPECIFICATIONS

<b>Door Prep</b>	Cross bore: 2-1/8" Edge bore: 1" Latch face: 1" x 2-1/4"	<b>Latches</b> <i>(6-Way Available)</i>	1" Diameter 6-way Drive-In Latch: 2-3/8" & 2-3/4" adj. (T90A0S) Faceplate: 1" x 2-1/4" round & square corner Bolt: 1/2" throw
<b>Backset</b>	Fits 2-3/8" and 2-3/4"	<b>Strikes</b>	1-3/4" x 2-1/4" full lip round corner (9103)
<b>Door Thickness</b>	1-3/8" ~ 1-3/4" door standard	<b>Wood Screws</b>	Combination screws that suit both wood or metal door mounting
<b>Cylinder</b>	KW1 5-pin standard. Packed KA5 2 Keys Per Lock. Master Keying Available	<b>Features</b>	<ul style="list-style-type: none"> <li>• Auto-release &amp; Panic Proof</li> <li>• Waterproof Foam Seal</li> </ul>

Model	Function	WT/LB	CTN QTY		US3	US32D
100TP - GN	Entrance	27 Lbs	20 Pcs	Item No.	211523M	211522M

### STANDARD LATCH



### OPTIONAL LATCH



**DELANEY**<sup>®</sup>

Copyright © THE DELANEY CO. All rights reserved.