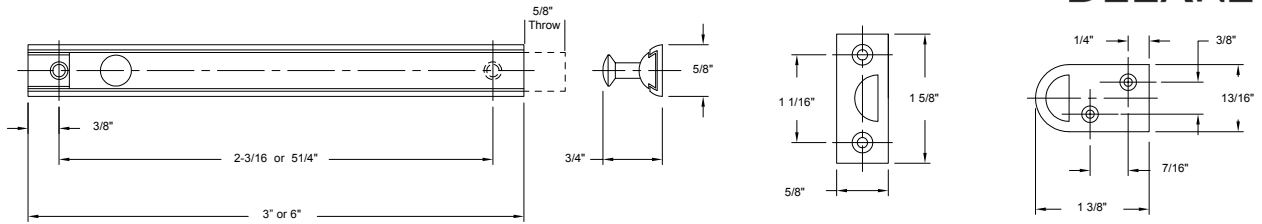


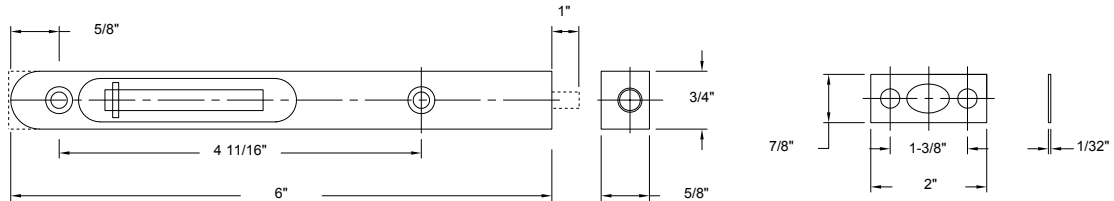
SOLID BRASS SURFACE BOLTS



Base Metal: Brass

	Description	Finish	Item No.	CTN QTY	WT/CTN
	Solid Brass Surface Bolt 3"	US3	410303	20	5 Lbs
	Solid Brass Surface Bolt 3"	US15	410309	20	5 Lbs
	Solid Brass Surface Bolt 3"	US10B	410310	20	5 Lbs
	Solid Brass Surface Bolt 6"	US3	410503	20	10 Lbs
	Solid Brass Surface Bolt 6"	US26D	410507	20	10 Lbs
	Solid Brass Surface Bolt 6"	US15	410509	20	10 Lbs
	Solid Brass Surface Bolt 6"	US10B	410510	20	10 Lbs

SOLID BRASS FLUSH BOLTS



Base Metal: Brass

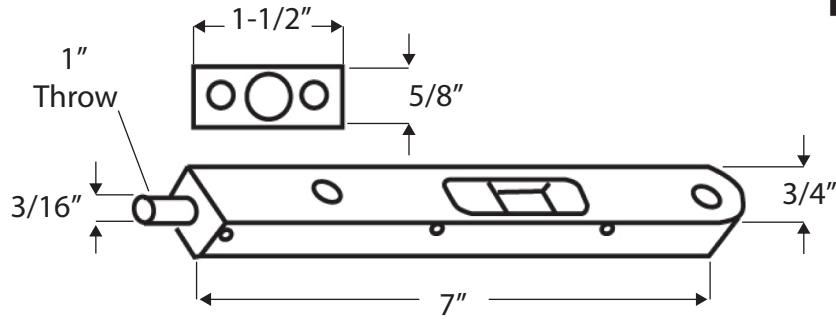
	Description	Finish	Item No.	CTN QTY	WT/CTN
	Flush Bolt Solid Brass 6" Round End	US3	410600	25	7 Lbs
	Flush Bolt Solid Brass 6" Round End	US15	410215	25	7 Lbs
	Flush Bolt Solid Brass 6" Round End	US10B	410210	25	7 Lbs
	Flush Bolt Solid Brass 6" Square End	US3	410800	25	7 Lbs
	Flush Bolt Solid Brass 6" Square End	US15	410315	25	7 Lbs
	Flush Bolt Solid Brass 6" Square End	US10B	410810	25	7 Lbs
	Strike Plate Only for 6" Flush Bolt	US15	480415	Each	Each
	Strike Plate Only for 6" Flush Bolt	US10B	480400	Each	Each



DELANEY

Copyright © DELANEY HARDWARE. All rights reserved.

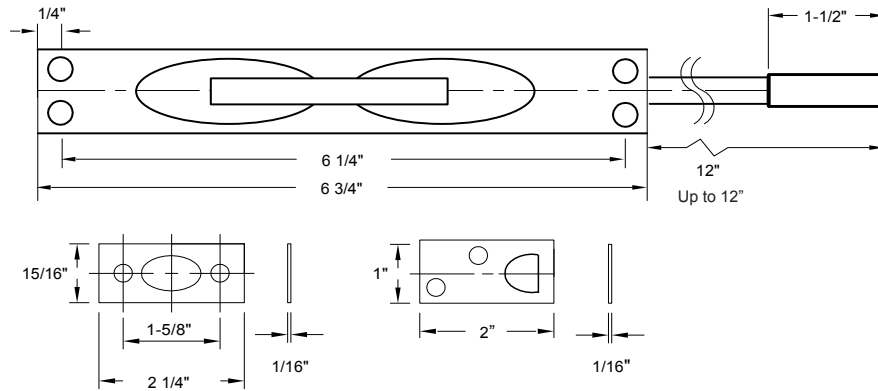
MORTISE IN FLUSH BOLT 7" SLIDE TYPE



Base Metal: Zinc

	Description	Finish	Item No.	CTN QTY	WT/CTN
	Mortise In Flush Bolt 7" (Slide Type)	US15	410107	25	7 Lbs
	Mortise In Flush Bolt 7" (Slide Type)	US10B	410112	25	7 Lbs
	Strike Plate Only for Mortise In Flush Bolt	US15	481401	Each	
	Strike Plate Only for Mortise In Flush Bolt	US10B	481400	Each	

MORTISE IN EXTENSION FLUSH BOLT



Base Metal: Zinc

	Description	Finish	Item No.	CTN QTY	WT/CTN
	Mortise in Extension Flush Bolt 1" x 7"	US26D	436302	25	7 Lbs
	Mortise in Extension Flush Bolt 1" x 7"	US10B	436310	25	7 Lbs



DELANEY

Copyright © DELANEY HARDWARE. All rights reserved.