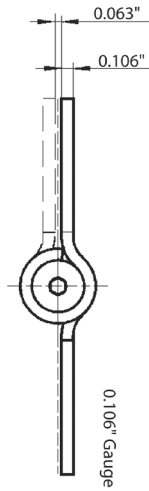
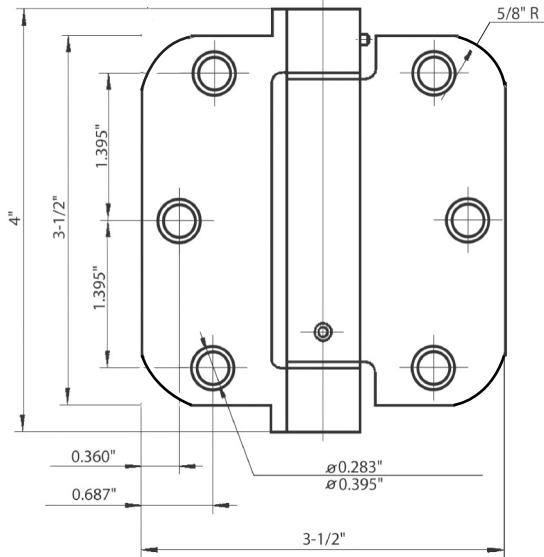


3 1/2" X 3 1/2" SPRING HINGES



SPECIFICATIONS



- #10 X 1/2" machine screw (10-24NC) standard
- #10 x 1" wood screw standard
- Box Pack: 1 Pair (2 pcs) per box.
20 Pair / CTN, 28 Lbs
- Gauge: 0.106" Steel
- Priced and sold by the pair (2 Hinges)

Base Metal: Steel

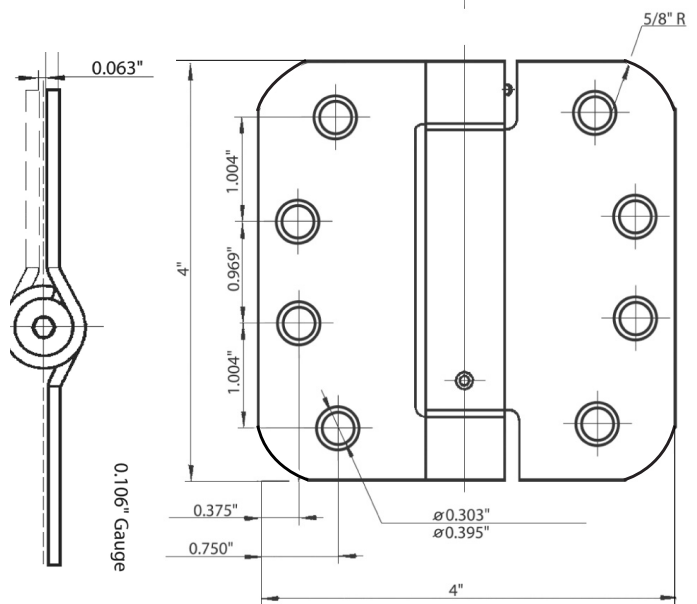
Description	Radius	US26D Dull Chrome		US10B Oil Rubbed Bronze	
		Item No.	SP3506	SP3510	
3 1/2" x 3 1/2" Spring Hinge	5/8"				

4" X 4" SPRING HINGES

SPECIFICATIONS



- #10 X 1/2" machine screw (10-24NC) standard
- #10 x 1" wood screw standard
- Box Pack: 1 Pair (2 pcs) per box
20 Pair / CTN, 32 Lbs
- Gauge: 0.106" Steel
- Priced and sold by the pair (2 Hinges)



Base Metal: Steel

Description	Radius	US26D Dull Chrome		US10B Oil Rubbed Bronze	
		Item No.	SP4506	SP4510	
4" x 4" Spring Hinge	5/8"				

Please see page D-18 for
Hinge Sizing Guide.



DELANEY

Copyright © DELANEY HARDWARE. All rights reserved.