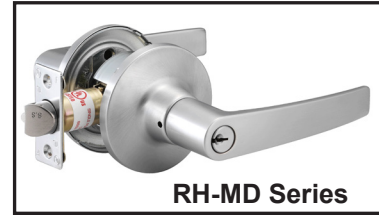
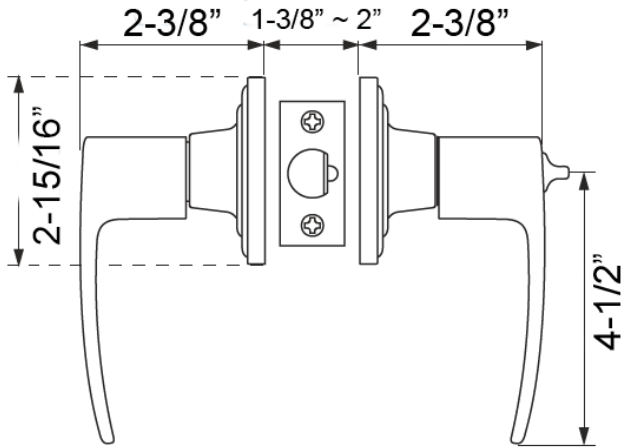


# RH SERIES - MD STYLE GRADE 2 TUBULAR LEVER



## DIMENSIONS



## STANDARD SPECIFICATIONS



<b>Door Prep</b>	Cross bore: 2-1/8" Edge bore: 1" Latch face: 1" x 2-1/4"	<b>Latches</b>	Entrance: 2-3/8" & 2-3/4" adjustable (9060 UL) Passage/Privacy: 2-3/8" & 2-3/4" adjustable (9064) Faceplate: 1" x 2-1/4" round corner Bolt: 1/2" throw. Meets 3-Hr Fire Rating
<b>Backset</b>	Adjustable 2-3/8" and 2-3/4"	<b>Strikes</b>	1-1/8" x 2-3/4" T-strike (9101)
<b>Door Thickness</b>	1-3/8" ~ 2"	<b>Door Handing</b>	Not Required
<b>Cylinder</b>	SC4 6-pin <b>standard</b> . KW1 5-pin optional Entries packed KA2	<b>Product Features</b>	<ul style="list-style-type: none"> <li>• Concealed Mounting Screws</li> <li>• Protective Sleeve</li> <li>• Interlocking Screw Posts</li> <li>• Push Button Locking</li> <li>• Panic Proof</li> </ul>
<b>ANSI &amp; Federal Standards</b>	Meets requirements of BHMA/ANSI A156.2 Series 4000, GR2, 400,000 Cycles.		

## ITEM DETAILS

Model	Function	WT/LB	CTN QTY	US26D Dull Chrome	
500-RH-MD	Entrance	29 Lbs	10 Pcs	Item No.	321522
504-RH-MD	Storeroom	29 Lbs	10 Pcs	Item No.	326522
509-RH-MD	Classroom	29 Lbs	10 Pcs	Item No.	329522
501-RH-MD	Passage	26 Lbs	10 Pcs	Item No.	324522
502-RH-MD	Privacy	26 Lbs	10 Pcs	Item No.	322522
515-RH-MD	Dummy	18 Lbs	20 Pcs	Item No.	325522



**DELANEY®**

Copyright © DELANEY HARDWARE. All rights reserved.