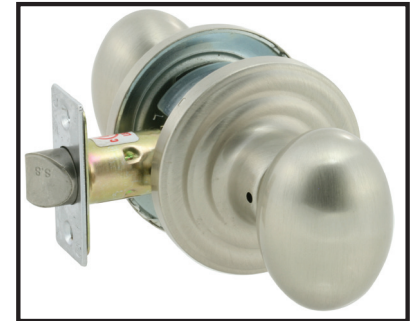
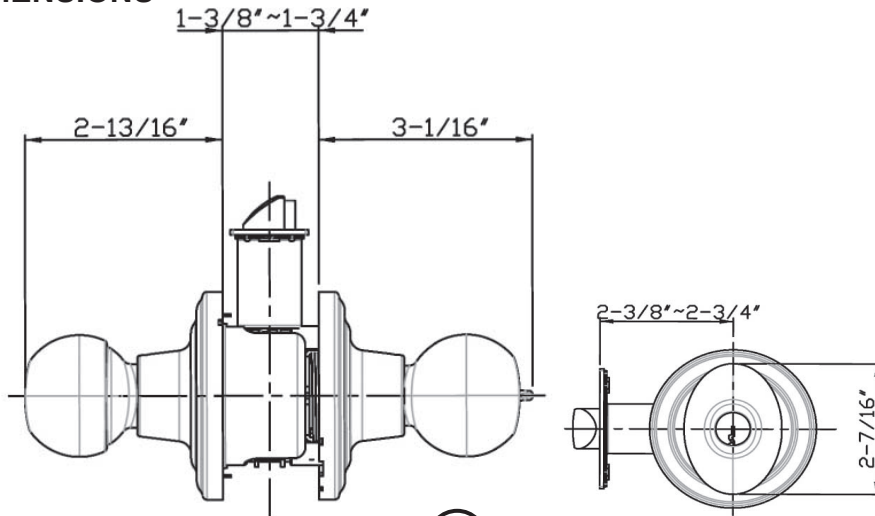


ANSLEY® (GRADE 2)



DIMENSIONS



LISTED Available

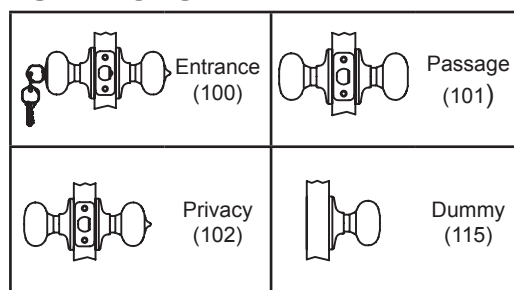
STANDARD SPECIFICATIONS

Door Prep	Cross bore: 2-1/8" Edge bore: 1" Latch face: 1" x 2-1/4"	Latches	Entrance: 2-3/8" & 2-3/4" adjustable (9060R UL) Passage/Privacy: 2-3/8" & 2-3/4" adjustable (9064R) Faceplate: 1" x 2-1/4" round corner Bolt: 1/2" throw
Backset	Fits 2-3/8" and 2-3/4"	Strikes	1-3/4" x 2-1/4" full lip round corner (9103)
Door Thickness	1-3/8" ~ 1-3/4" door standard	Wood Screws	Combination screws that suit both wood or metal door mounting
Cylinder	KW1 5-pin standard (solid Brass) SC4 6-pin optional. Entries packed KA5	Door Handing	Not Required
		Grade 2 Features	<ul style="list-style-type: none"> • Protective Collar • Panic Proof • Reinforced Spring Assembly • 3-Hr Fire Latch (100 & 104)

ITEM DETAILS

Model	Function	WT/LB	CTN QTY	US3 Bright Brass			US15 Satin Nickel	US12P Tuscany Bronze
				Item No.				
100-AN-G2	Entrance	30 Lbs	20 Pcs	Item No.	311223	311222	311229	
104-AN-G2	Storeroom	30 Lbs	20 Pcs	Item No.	—	316222	316229	
101-AN-G2	Passage	26 Lbs	20 Pcs	Item No.	314223	314222	314229	
102-AN-G2	Privacy	26 Lbs	20 Pcs	Item No.	312223	312222	312229	
105-AN-G2	Dummy	15 Lbs	20 Pcs	Item No.	315223	315222	315229	

FUNCTIONS



DELANEY®

Copyright © DELANEY HARDWARE. All rights reserved.