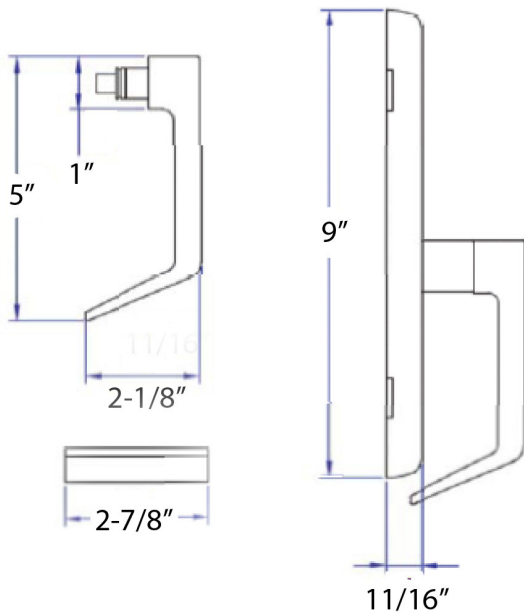


**700ETL SERIES
ESCUTCHEON LEVER TRIM
WITH CLUTCH**



DIMENSIONS



**700ETL or 704ETL
Entrance or Night Latch
Function**



**701ETL or 715ETL
Passage or Dummy
Function**



STANDARD SPECIFICATIONS

Functions:		Door Thickness	1-3/4" - 2" Standard. 2-1/4" Ext. optional.
Entrance	Entrance by lever. Key retracts latchbolt & unlocks lever		
Night Latch	Entrance by lever when released by key. Otherwise always locked.	Cylinder	Schlage C-5-Pin Keyway standard. KW1-5 Pin optional.
Passage	Entrance by lever (no cylinder). Lever always active.	Door Prep	Will cover stock hollow metal doors with 161 cutout.
Dummy	Non-Active	Handing	Reversible

ITEM DETAILS

Model	Description	QTY/ CTN	US32D Stainless Steel		US10B Oil Rubbed Bronze	
			Item No.		Item No.	
700ETL	Escutcheon Lever Trim Entrance	Each	Item No.	690210	Item No.	690212
704ETL	Escutcheon Lever Trim Night Latch	Each	Item No.	690220	Item No.	690222
701ETL	Escutcheon Lever Trim Passage	Each	Item No.	690230	Item No.	690232
715ETL	Escutcheon Lever Trim Dummy	Each	Item No.	690250	Item No.	690252



DELANEY®

Copyright © DELANEY HARDWARE. All rights reserved.