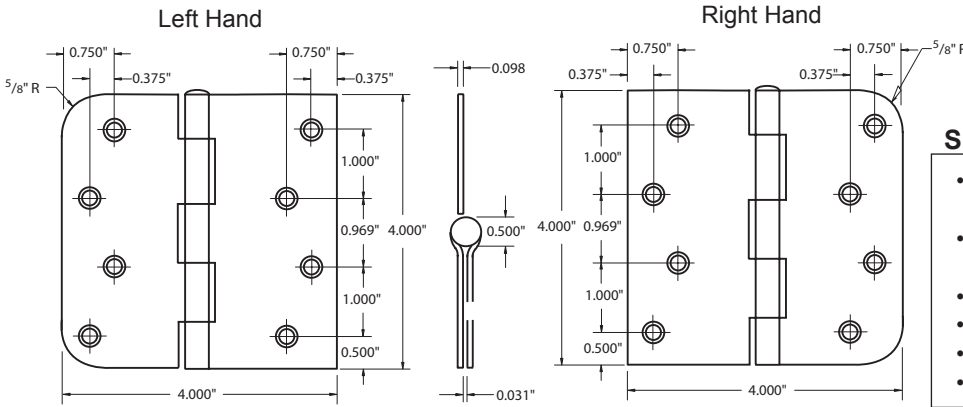


4" x 4" 5/8R x SQ HINGES FOR CASTLEGATE



SPECIFICATIONS

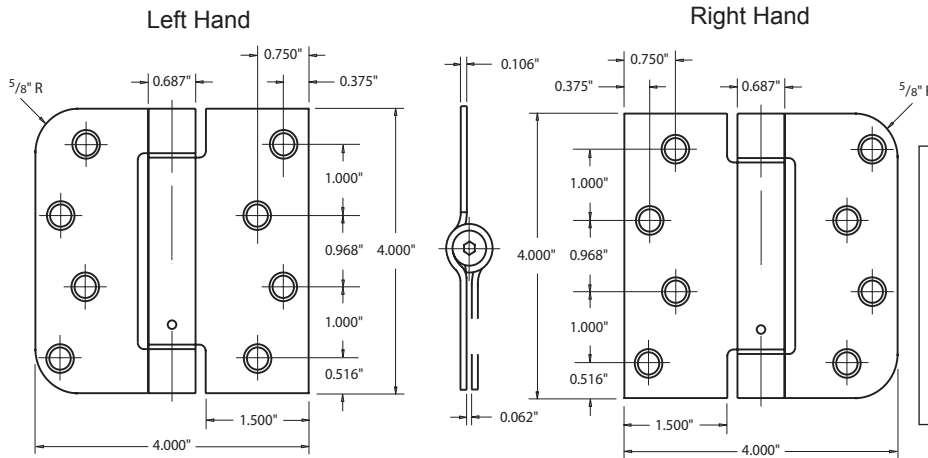
- #10 X 1/2" machine screw (10-24NC) standard (8 pcs).
- #10 x 3/4" wood screw standard (16 pcs)
- Gauge 0.106" Steel
- Bulk packaged 50 Pr / CTN, 50 lbs
- Specify LH or RH
- Priced & sold by the pair (2 Hinges)

Base Metal: Steel



Description	Radius	US15	US26D	US10B	
		Satin Nickel	Dull Chrome	Oil Rubbed Bronze	
4" x 4" Hinge for Castlegate	5/8" x SQ	Item No.	RH4054	RH4056	RH4059

4" X 4" 5/8R x SQ SPRING HINGE FOR CASTLEGATE



SPECIFICATIONS

- #10 X 1/2" machine screw (10-24NC) standard (8 pcs)
- #10 x 3/4" wood screw standard (16 pcs)
- Box Pack: 1Pair (2 pcs) per box. 20 Pair / CTN, 28 Lbs
- Gauge: 0.106" Steel
- Specify LH or RH
- Priced & sold by the pair (2 Hinges)



Base Metal: Steel

Description	Radius	US26D	
		Dull Chrome	
4" x 4" Spring Hinge for Castlegate	5/8" x SQ	Item No.	SP4056



DELANEY

Copyright © DELANEY HARDWARE. All rights reserved.