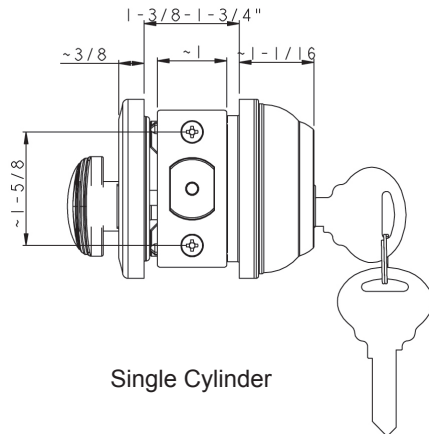


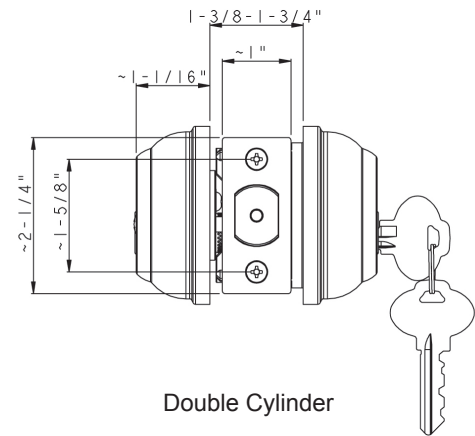
# DEADBOLTS GRADE 2



## DIMENSIONS



Single Cylinder



Double Cylinder

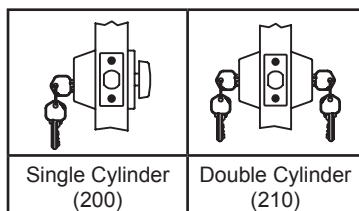


## STANDARD SPECIFICATIONS

<b>Door Prep</b>	Cross bore: 2-1/8" Edge bore: 1" Latch face: 1" x 2-1/4"	<b>Latches</b>	2-3/8" & 2-3/4" adjustable (9092 UL) Faceplate: 1" x 2-1/4" round corner Bolt: Brass with hardened steel rod. Full 1" throw
<b>Backset</b>	Fits 2-3/8" and 2-3/4"	<b>Strikes</b>	1-3/4" x 2-1/4" Rd & Sq Corner (9111 & 9117) Includes Reinforcement Strike
<b>Door Thickness</b>	1-3/8" ~ 1-3/4" door standard, 2-1/4" Ext. Kit Available	<b>Wood Screws</b>	Combination screws that suit both wood or metal door mounting Includes 3" Security Screws
<b>Cylinder</b>	KW1 5-Pin <b>standard</b> (Solid Brass), SC4 6-pin Optional Deadbolts packed KA5	<b>Door Handing</b>	Not Required
		<b>Grade 2 Features</b>	<ul style="list-style-type: none"> <li>• Protective Collar</li> <li>• 3-Hr Fire Latch</li> <li>• High Security Strike Plate Assembly</li> </ul>

Model	Function	WT/LB	CTN QTY		US3 Bright Brass	US15 Satin Nickel	US26 Polished Chrome	US12P Tuscany Bronze
200-LU-G2	Single Cylinder	27 Lbs	20 Pcs	Item No.	330603	330601	330606	330610
210-LU-G2	Double Cylinder	36 Lbs	20 Pcs	Item No.	—	340601	340606	340610

## FUNCTIONS



Single Cylinder  
(200)

Double Cylinder  
(210)



**DELANEY**

Copyright © THE DELANEY CO. All rights reserved.