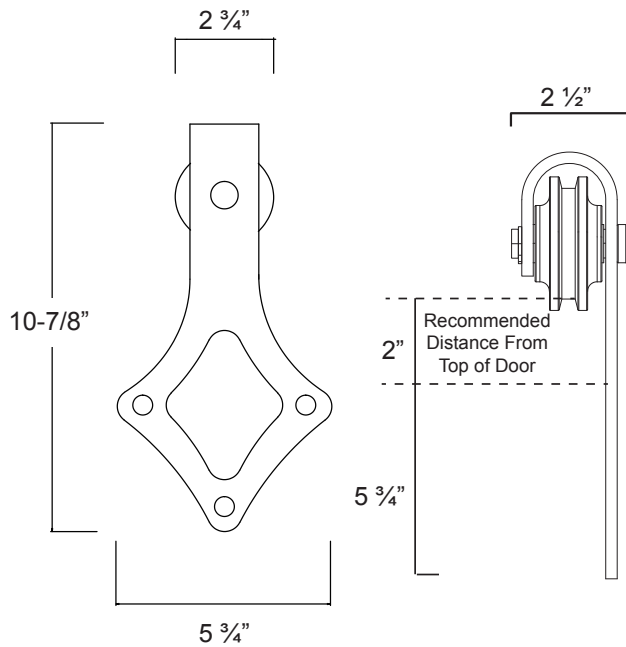


BARN DOOR HARDWARE 6000 SERIES



Weight Limit:
330 Lbs per set

Description	Finish	Item No.	CTN QTY	WT/CTN
6000 Series 6 FT Barn Door Hardware (Diamond)	Black Brushed Steel	BD6064	1	17 Lbs
6000 Series 6 FT Barn Door Hardware (Diamond)		BD6061	1	17 Lbs
6000 Series 8 FT Barn Door Hardware (Diamond)	Black Brushed Steel	BD6084	1	19 Lbs
6000 Series 8 FT Barn Door Hardware (Diamond)		BD6081	1	19 Lbs

Additional track lengths and finishes available.

Series Includes:

- 2 Hangers w/ Quiet Bearing Wheels
- Track (Pre-drilled)
- Standoffs & Lag Bolts
- 2 Door Stops
- 1 Door L Guide
- Anti-Jump Disc
- Bolts, Nuts, & Washers



DELANEY

Copyright © DELANEY HARDWARE. All rights reserved.