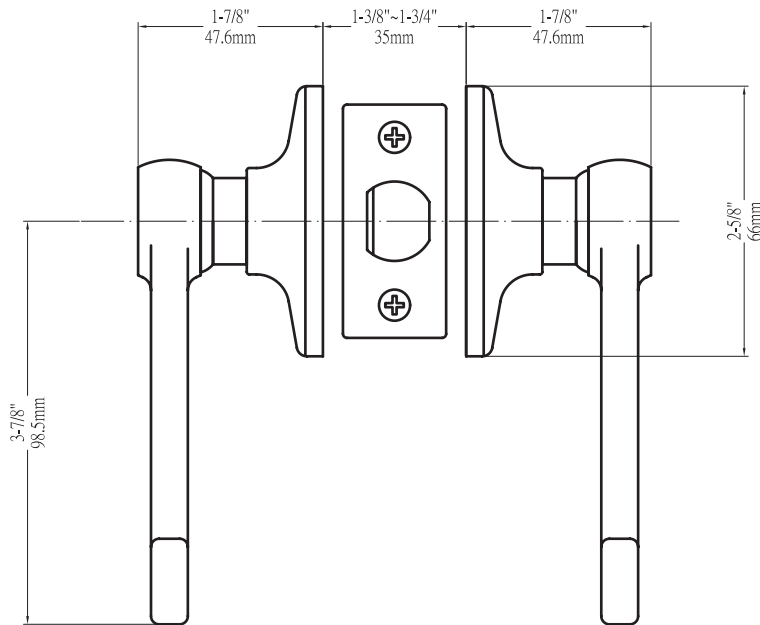


# LEXINGTON GRADE 3

# CALLAN

## DIMENSIONS

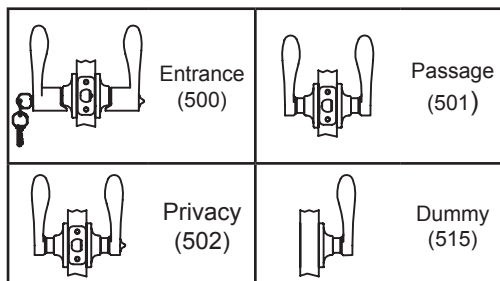


## STANDARD SPECIFICATIONS

<b>Door Prep</b>	Cross bore: 2-1/8" Edge bore: 1" Latch face: 1" x 2-1/4"
<b>Backset</b>	Fits 2-3/8" and 2-3/4"
<b>Door Thickness</b>	1-3/8" ~ 1-3/4" door standard 2-1/4" Ext. Kit available
<b>Cylinder</b>	KW1 5-pin <b>standard</b> ; SC1 5-pin optional Entries packed KA5
<b>Latches</b>	Entrance: 2-3/8" & 2-3/4" adjustable (9073) Passage/Privacy: 2-3/8" & 2-3/4" adjustable (9074) Faceplate: 1" x 2-1/4" round corner Bolt: 1/2" throw
<b>Strikes</b>	1-3/4" x 2-1/4" full lip round corner (9103)
<b>Wood Screws</b>	Combination screws that suit both wood or metal door mounting
<b>Door Handing</b>	Reversible lever

Model	Function	WT/ CTN	CTN QTY	US3 Bright Brass			US15 Satin Nickel	US5 Antique Brass
				Item No.	Item No.	Item No.	Item No.	Item No.
500T - LE	Entrance LE/FD	35 Lbs	20 Pcs	Item No.	—	KA5001	—	—
500T - LE	Entrance LE/LE	35 Lbs	20 Pcs	Item No.	KA5103	KA5101	KA5105	—
501T - LE	Passage	23 Lbs	20 Pcs	Item No.	KA5013	KA5011	KA5015	—
502T - LE	Privacy	24 Lbs	20 Pcs	Item No.	KA5023	KA5021	KA5025	—
515 - LE	Dummy	15 Lbs	20 Pcs	Item No.	KA5053	KA5051	KA5055	—

## FUNCTIONS



Extension Kits Available

## HANDING GUIDE

