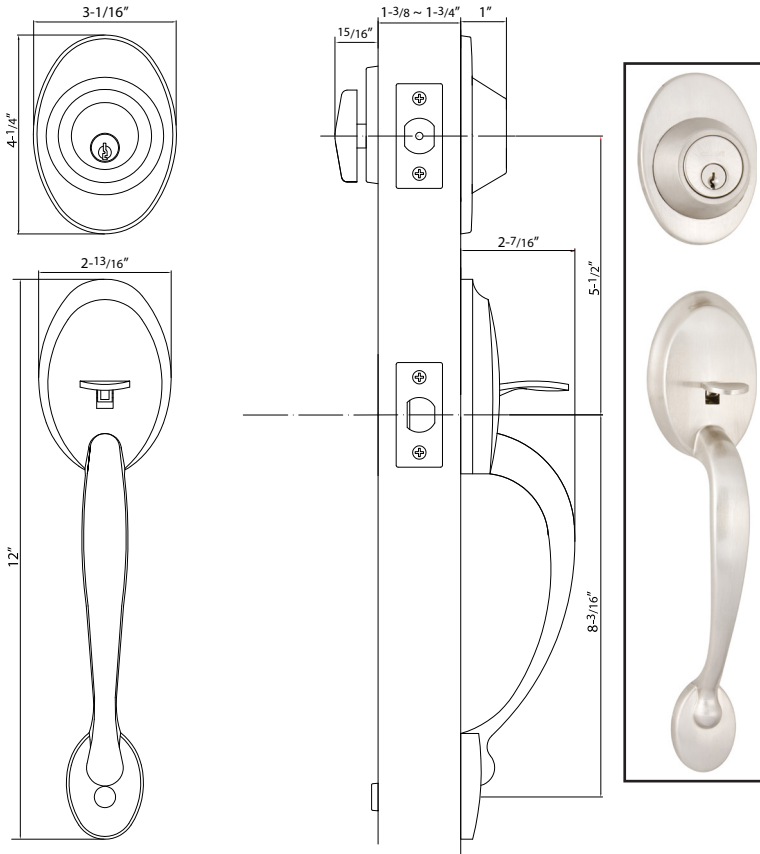


COLTON® GRADE 2



DIMENSIONS



STANDARD SPECIFICATIONS

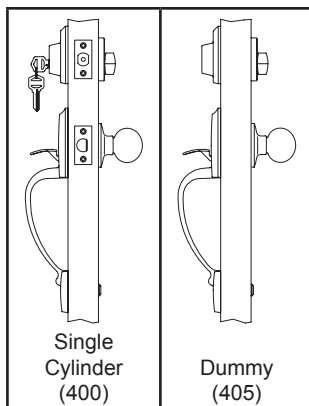
Door Prep	Deadbolt cross bore: 2-1/8" Handleset cross bore: 2-1/8" Edge bore: 1" Latch face: 1" x 2-1/4" Mounting bore distance (center to center): 5-1/2" recommended
Backset	Fits 2-3/8" and 2-3/4"
Door Thickness	1-3/8" ~ 1-3/4" door standard 2-1/4" Ext. Kits available
Cylinder	SC1 5-pin standard ; KW1 5-pin optional Handlesets packed KD
Latches	Deadbolt: <ul style="list-style-type: none"> 2-3/8" & 2-3/4" adjustable (C9092 R/S) Faceplate: 1" x 2-1/4" round corner Bolt: 1" throw with hardened steel rod Handle: <ul style="list-style-type: none"> 2-3/8" and 2-3/4" adjustable (C9064 R/S) (for lever and knob) Faceplate: 1" x 2-1/4" round corner
Strikes	Deadbolt: 2-1/4" Rd. & Sq. corner (9118 R/S) 1 1/8" X 2 3/4" Thumbpiece: 2-1/4" full lip Rd. & Sq. corner (9103 & 9102). Includes Reinforcement Plate.
Wood Screws	Combination screws that suit both wood or metal door mounting. Includes 3" Security Screws.
Door Handing	Specify handing when ordering lever as interior option
Grade 2 Features	<ul style="list-style-type: none"> Protective collar Interlocking installation guides Reinforced spring assembly High Security Strike Assembly

ITEM DETAILS

*Handleset Pricing includes Interior Knob or Lever. Specify when ordering.

Model	Function	WT/CTN	CTN QTY		US3 Bright Brass	US15 Satin Nickel	US10BE Edged Bronze	US5 Antique Brass
400-CO-G2	Single Cylinder	38 Lbs	10 Pcs	Item No.	G2KA4003	G2KA4001	G2KA4007	G2KA4005
405-CO-G2	Dummy	38 Lbs	10 Pcs	Item No.	G2KA4053	G2KA4051	G2KA4057	G2KA4055

FUNCTIONS



Extension Kits Available



DELANEY®

Copyright © DELANEY HARDWARE. All rights reserved.