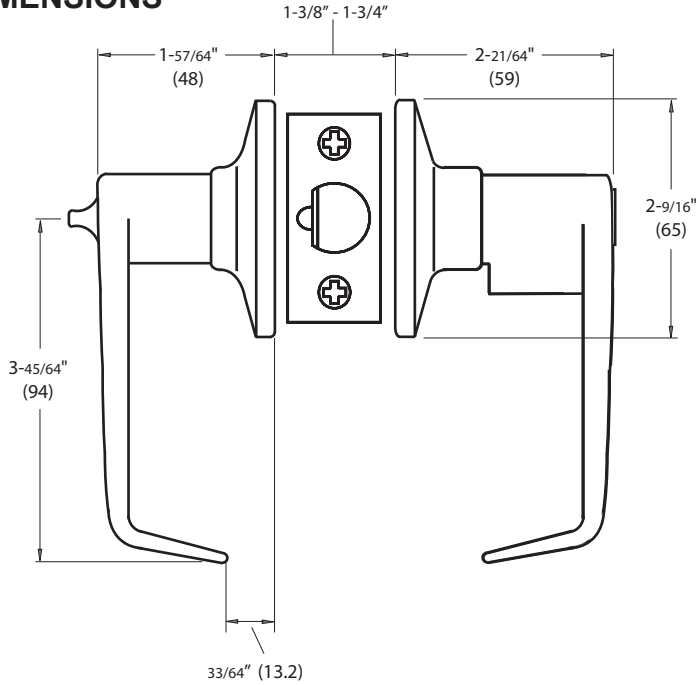


# ET STYLE GRADE 3



DELANEY®

## DIMENSIONS



## STANDARD SPECIFICATIONS

<b>Door Prep</b>	Cross bore: 2-1/8" Edge bore: 1" Latch face: 1" x 2-1/4"
<b>Backset</b>	Fits 2-3/8" and 2-3/4"
<b>Door Thickness</b>	1-3/8" ~ 1-3/4" door standard
<b>Cylinder</b>	KW1 5-pin <b>standard</b> (Solid Brass) SC1 5-Pin optional. Entries packed KA5
<b>Latches</b> <i>(6-Way Available)</i>	Entrance: 2-3/8" & 2-3/4" adjustable (9045R) Passage/Privacy: 2-3/8" & 2-3/4" adj. (9074) Faceplate: 1" x 2-1/4" round corner Bolt: 1/2" throw
<b>Strikes</b>	1-3/4" x 2-1/4" full lip round corner (9103)
<b>Wood Screws</b>	Combination screws that suit both wood or metal door mounting
<b>Door Handing</b>	Reversible

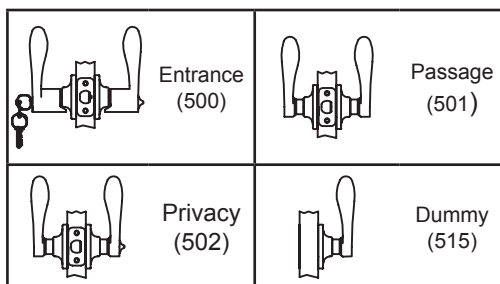


LISTED  
Available



Model	Function	WT/ CTN	CTN QTY		US15 Satin Nickel	US26D Brushed Chrome
500T - ET	Entrance	26 Lbs	20 Pcs	Item No.	D20320	D20322
504T - ET	Storeroom	26 Lbs	20 Pcs	Item No.	D26320	D26322
501T - ET	Passage	23 Lbs	20 Pcs	Item No.	D24320	D24322
502T - ET	Privacy	24 Lbs	20 Pcs	Item No.	D22320	D22322
502TP - ET	Push Button Privacy (Panic Proof)	24 Lbs	20 Pcs	Item No.	D22320P	—
515 - ET	Dummy	15 Lbs	20 Pcs	Item No.	D25320	D25322

## FUNCTIONS



DELANEY®

Copyright © THE DELANEY CO. All rights reserved.