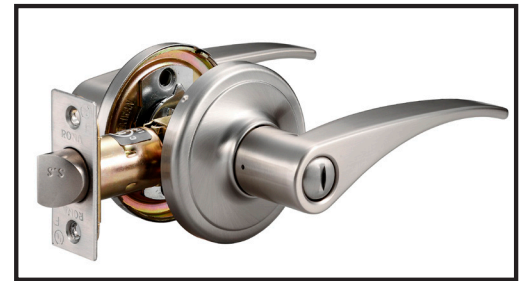
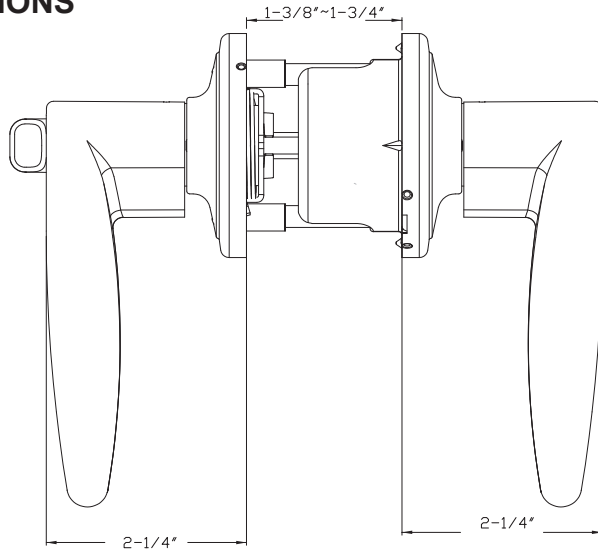


# MIRCET

## GRADE 2



### DIMENSIONS



### STANDARD SPECIFICATIONS



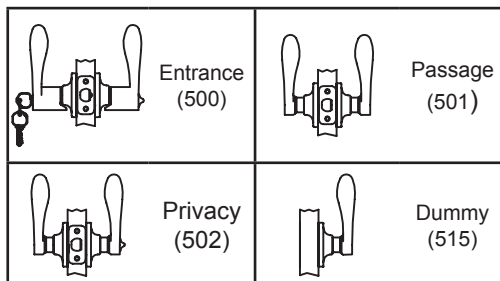
LISTED Available



<b>Door Prep</b>	Cross bore: 2-1/8" Edge bore: 1" Latch face: 1" x 2-1/4"	<b>Latches</b>	Entrance: 2-3/8" & 2-3/4" adjustable (9060R UL) Passage/Privacy: 2-3/8" & 2-3/4" adjustable (9064R) Faceplate: 1" x 2-1/4" round corner Bolt: 1/2" throw
<b>Backset</b>	Fits 2-3/8" and 2-3/4"	<b>Strikes</b>	1-3/4" x 2-1/4" full lip round corner (9103)
<b>Door Thickness</b>	1-3/8" ~ 1-3/4" door standard	<b>Wood Screws</b>	Combination screws that suit both wood or metal door mounting
<b>Cylinder</b>	KW1 5-pin <b>standard</b> (Solid Brass) SC4 6-pin optional. Entries packed KA5	<b>Door Handing</b>	Entry, Passage, Privacy: Reversible Storeroom, Classroom, Dummy, Interior: Specify LH or RH
		<b>Grade 2 Features</b>	<ul style="list-style-type: none"> <li>Protective Collar</li> <li>Panic Proof</li> <li>Reinforced Spring Assembly</li> <li>3-Hr Fire Latch (500, 504, 509)</li> </ul>

Model	Function	WT/CTN	CTN QTY	Finish			
				US15 Satin Nickel	US26 Polished Chrome	US12P Tuscany Bronze	
100TT-MC-G2	Entrance	24 Lbs	10 Pcs	Item No.	320620	320626	320627
101TT-MC-G2	Passage	22 Lbs	10 Pcs	Item No.	324620	324626	324627
102TT-MC-G2	Privacy	22 Lbs	10 Pcs	Item No.	322620	322626	322627
115TT-MC-G2	Dummy	21 Lbs	20 Pcs	Item No.	325620	325626	325627

### FUNCTIONS



### HANDING GUIDE

Standing OUTSIDE the private area, regardless of whether the door swings toward you or away from you, if the Hinges are on the left, order a Left Hand (LH) lock. Likewise, if the Hinges are on the right, order a Right Hand (RH) lock.



**DELANEY**

Copyright © THE DELANEY CO. All rights reserved.