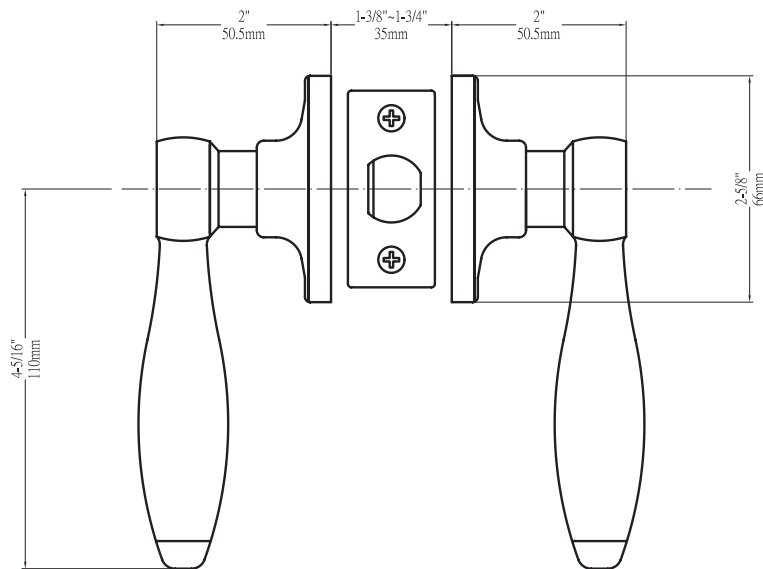


KENDALL® GRADE 3

CALLAN

DIMENSIONS



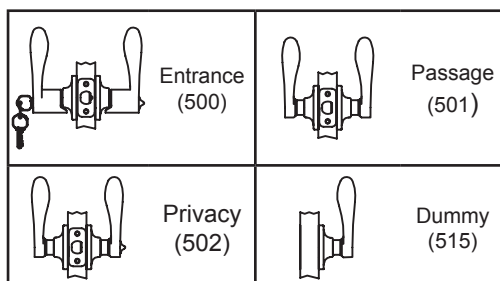
STANDARD SPECIFICATIONS

Door Prep	Cross bore: 2-1/8" Edge bore: 1" Latch face: 1" x 2-1/4"
Backset	Fits 2-3/8" and 2-3/4"
Door Thickness	1-3/8" ~ 1-3/4" door standard 2-1/4" Ext. Kit available
Cylinder	KW1 5-pin standard ; SC1 5-pin optional Entries packed KA5
Latches	Entrance: 2-3/8" & 2-3/4" adjustable (9073) Passage/Privacy: 2-3/8" & 2-3/4" adjustable (9074) Faceplate: 1" x 2-1/4" round corner Bolt: 1/2" throw
Strikes	1-3/4" x 2-1/4" full lip round corner (9103)
Wood Screws	Combination screws that suit both wood or metal door mounting
Door Handing	Reversible lever

Model	Function	WT/ LB	CTN QTY		US3 Bright Brass	US15 Satin Nickel	US15A Antique Nickel	US10BE Edged Bronze
500T - KI	Entrance	35 Lbs	20 Pcs	Item No.	KI5103	KI5101	KI5108	KI5107
501T - KI	Passage	23 Lbs	20 Pcs	Item No.	KI5013	KI5011	KI5018	KI5017
502T - KI	Privacy	24 Lbs	20 Pcs	Item No.	KI5023	KI5021	KI5028	KI5027
515 - KI	Dummy	15 Lbs	20 Pcs	Item No.	KI5053	KI5051	KI5058	KI5057

Extension Kits Available

FUNCTIONS



HANDING GUIDE

