

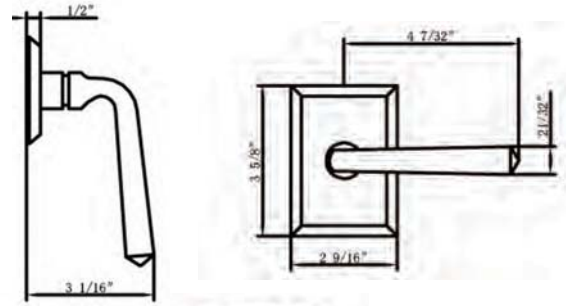
Specifications: ANSI Rated Grade 2

Door Prep	Cross bore: 2-1/8" Edge bore: 1" Latch Face: 1" x 2-1/4"	Latches	2-3/8" Standard and 2-3/4" Optional Faceplate: 1" x 2-1/4" round corner Bolt: 1/2" Solid Brass throw Drive0in or UL Available
Backset	2-3/8" Standard and 2-3/4" Optional	Strikes	Full lip round corner (9103) & square
Door Thickness	1-3/8" ~ 2", 2-1/4" & 2-1/2" Extension Kits Available		

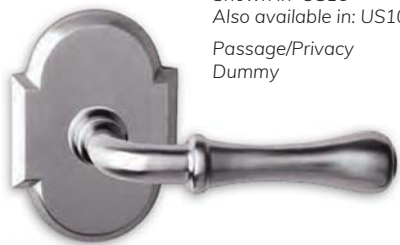
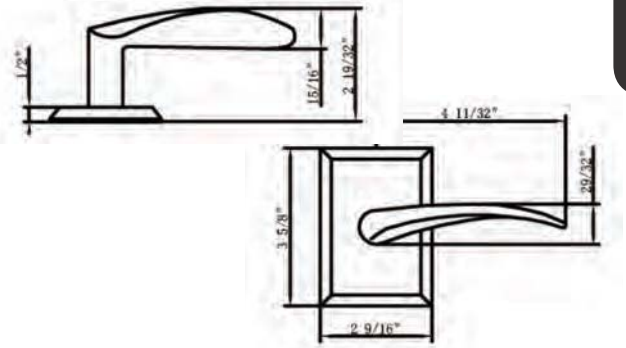
RUSTICO



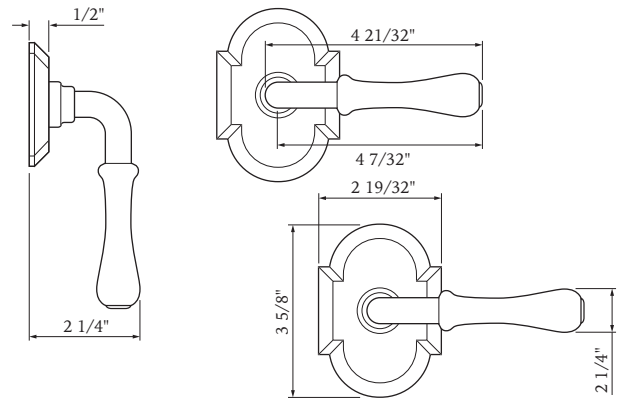
904S-1
Shown in US10B.
Also available in: US4, US15, US19, US26
Passage/Privacy
Dummy



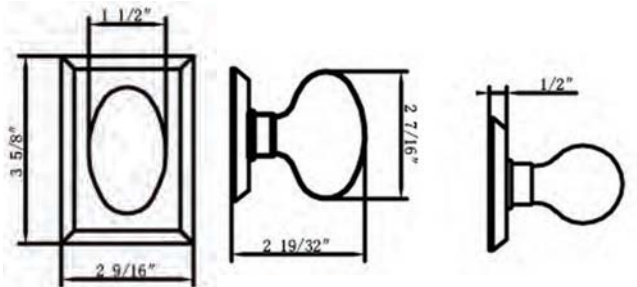
937-1
Shown in US10B
Also available in: US15, US26
Passage/Privacy
Dummy
(Specify Door Handling)



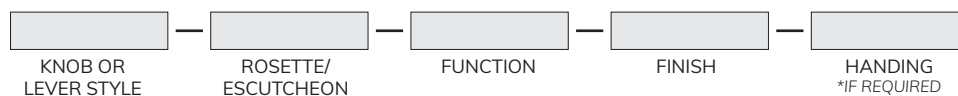
931-2
Shown in US15
Also available in: US10B
Passage/Privacy
Dummy



905-1
Shown in US10B
Also available in: PVD, US15, US26
Passage/Privacy
Dummy



HOW TO ORDER PASSAGE & PRIVACY

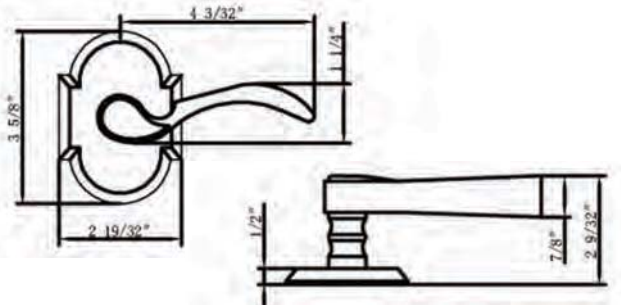


RUSTICO

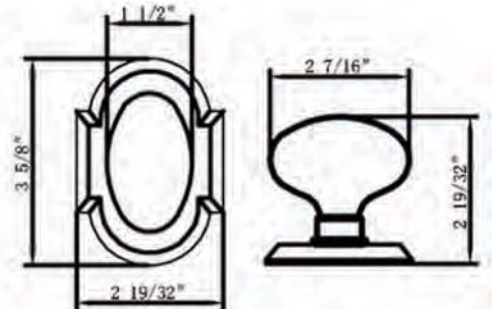


903-2
Shown in US15
Also available in: US10B
Passage/Privacy
Dummy

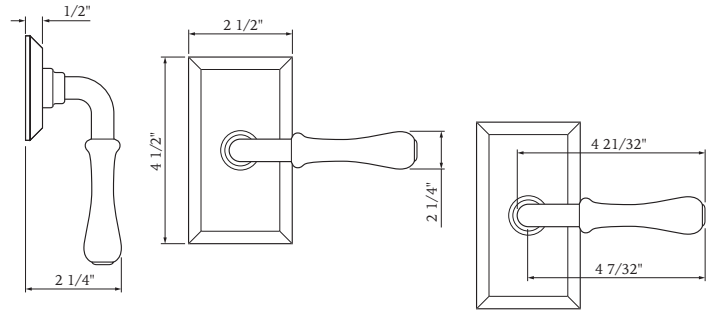
(Specify Door Handling)



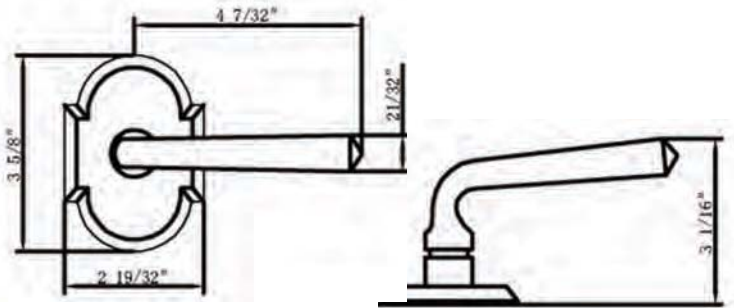
905-2
Shown in US15
Also available in: US10B
Passage/Privacy
Dummy



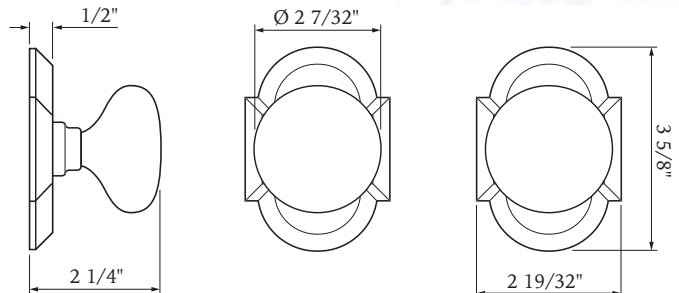
931-1
Shown in US10B
Also available in: US4, US15, US19, US26
Passage/Privacy
Dummy



904S-2
Shown in US15
Also available in: US10B
Passage/Privacy
Dummy



936-2
Shown in US15
Also available in: US10B
Passage/Privacy
Dummy



HOW TO ORDER PASSAGE & PRIVACY

