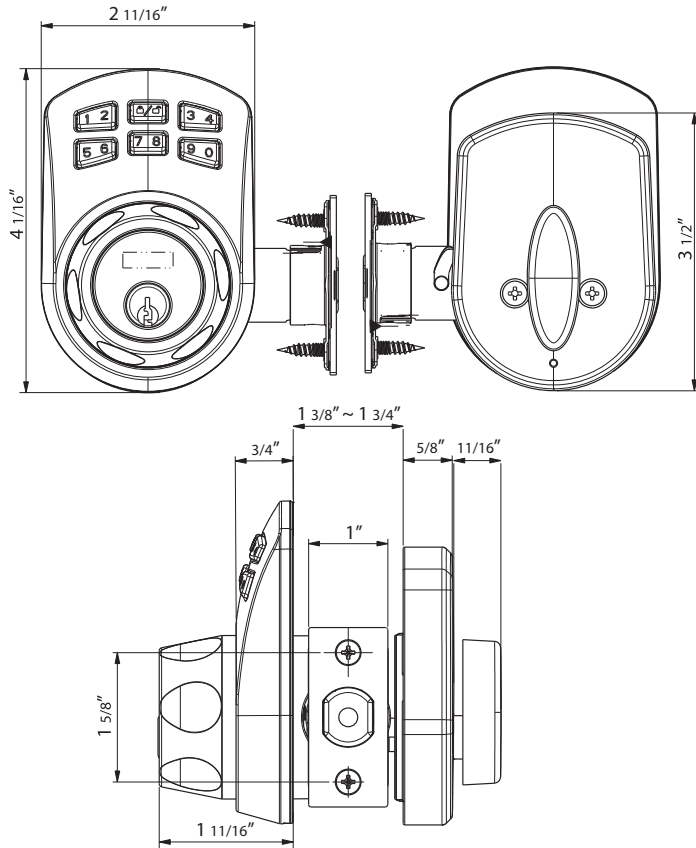


# KP100

## KEYPAD DEADBOLT



### DIMENSIONS



### STANDARD SPECIFICATIONS

<b>Door Prep</b>	Cross bore: 2-1/8" Edge bore: 1" Latch face: 1" x 2-1/4"	<b>Power</b>	Requires 3 AAA Batteries (not included)
		<b>Door Thickness</b>	Fits 1-3/8" ~ 2" door
<b>Backset</b>	Fits 2-3/8" and 2-3/4"	<b>Passcode</b>	4-10 digits, Maximum of 20 Passcodes supported
<b>Strikes</b>	9113	<b>Keys</b>	Includes 2 Keys for Manual Use
<b>Cylinder</b>	Cannot be re-keyed	<b>Warranty Period</b>	1 year

Model	Function	WT/CTN	CTN QTY	US15	US26	US12P	
				Satin Nickel	Bright Chrome	Tuscany Bronze	
KP100	Keypad Deadbolt	36 Lbs	10 Pcs	Item No.	311604	311606	311605



**DELANEY®**

Copyright © DELANEY HARDWARE. All rights reserved.