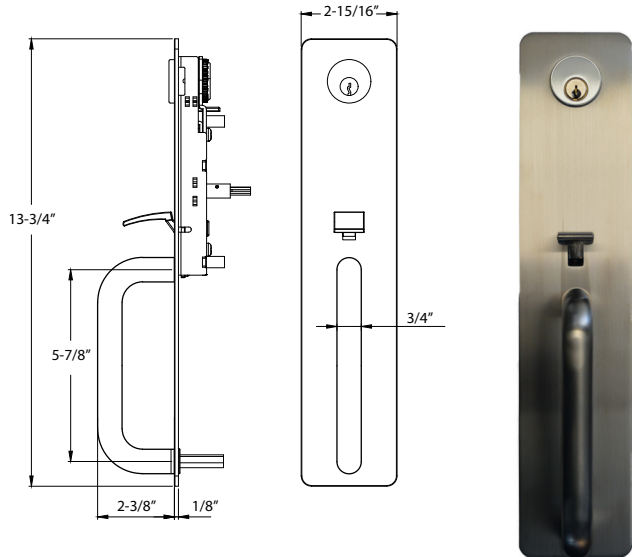


400TP & 600PT SERIES EXTERIOR TRIM LEVER

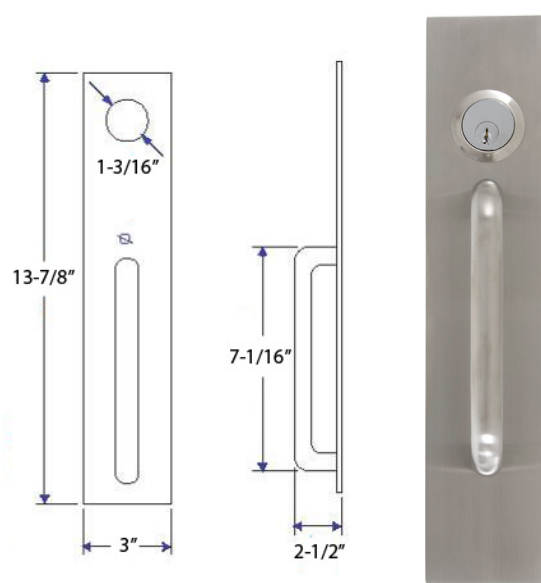


DIMENSIONS

400TP Series



600PT Series



ADA Compliant

STANDARD SPECIFICATIONS

400TP SERIES		600PT SERIES	
Functions:		Functions:	
Entrance	Entrance by lever. Key retracts latchbolt & unlocks thumbpiece	Pull Plate w/ Cylinder	Operates with key and pull. Cylinder unlocked by key. For use with Rim Exit Devices only.
Passage	Entrance by lever (no cylinder). Thumbpiece always active.	Pull Plate w/o Cylinder	For use with Rim Exit Device when push bar is dogged.
Mortise Cylinder	Schlage C-6 Pin Keyway standard. KW1 5-Pin Optional.	Rim Cylinder	Schlage C-6 Pin Keyway standard. KW1 5-Pin Optional.
Door Prep	Will cover stock hollow metal doors with 161 cutout	Door Prep	Will cover stock hollow metal doors with 161 cutout
Door Thickness	1-3/4" - 2" Standard. 2-1/4" Ext. optional	Door Thickness	1-3/4" - 2" Standard. 2-1/4" Ext. optional

ITEM DETAILS

Model	Description	QTY/ CTN	US32D Stainless Steel	DURO BRONZE
400TP	Thumbpiece Trim - Entrance (with Mortise Cylinder)	Each	Item No. 690310	690312
401TP	Thumbpiece Trim - Passage (No Cylinder)	Each	Item No. 690330	690332
611PT	Pull Trim (with Rim Cylinder) Not for use with Vertical Rod Devices	Each	Item No. 690001	690005
615PT	Dummy Pull Trim (No Cylinder)	Each	Item No. 690081	690085



DELANEY[®]

Copyright © DELANEY HARDWARE. All rights reserved.