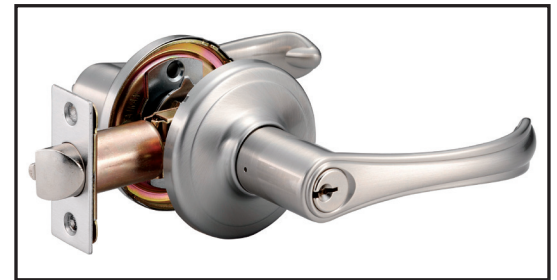
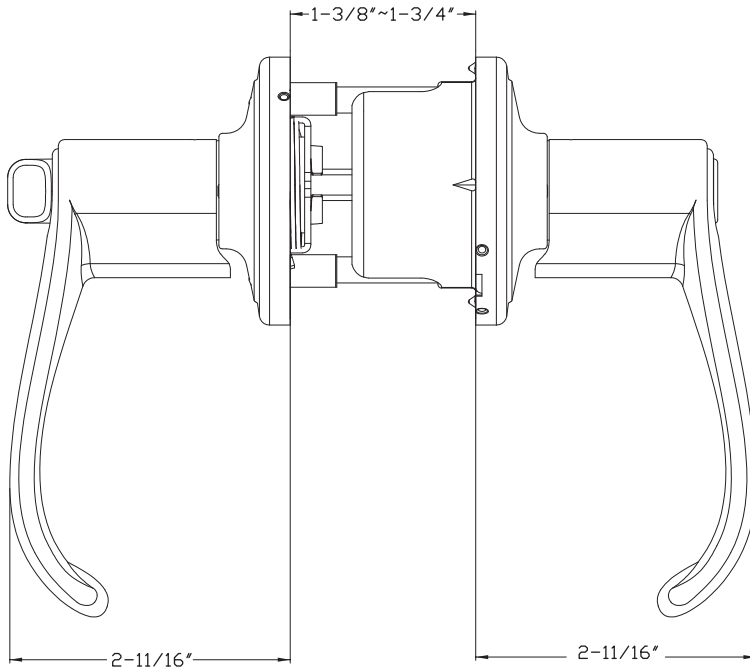


VONCET GRADE 2



DIMENSIONS



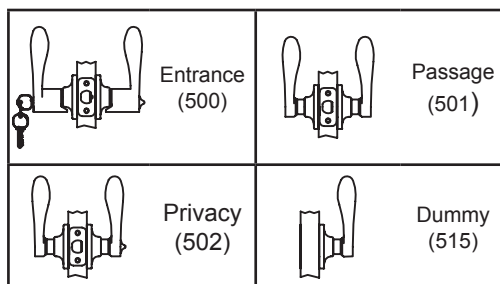
STANDARD SPECIFICATIONS

Door Prep	Cross bore: 2-1/8" Edge bore: 1" Latch face: 1" x 2-1/4"
Backset	Fits 2-3/8" and 2-3/4", UL Available
Door Thickness	1-3/8" ~ 1-3/4" door standard
Cylinder	KW1 5-pin standard (Solid Brass) SC1 5-Pin optional. Entries packed KA5
Latches <i>(6-Way Available)</i>	Entrance: 2-3/8" & 2-3/4" adjustable (9045R) Passage/Privacy: 2-3/8" & 2-3/4" adj. (9074) Faceplate: 1" x 2-1/4" round corner Bolt: 1/2" throw
Strikes	1-3/4" x 2-1/4" full lip round corner (9103)
Wood Screws	Combination screws that suit both wood or metal door mounting
Door Handing	Reversible



Model	Function	WT/CTN	CTN QTY		US15 Satin Nickel	US12P Tuscany Bronze
500TT-VT-GR2	Entrance	26 Lbs	20 Pcs	Item No.	320420	320427
501TT-VT-GR2	Passage	23 Lbs	20 Pcs	Item No.	324420	324427
502TT-VT-GR2	Privacy	24 Lbs	20 Pcs	Item No.	322420	322427
515TT-VT-GR2	Dummy	15 Lbs	20 Pcs	Item No.	325420	325427

FUNCTIONS



DELANEY

Copyright © THE DELANEY CO. All rights reserved.