

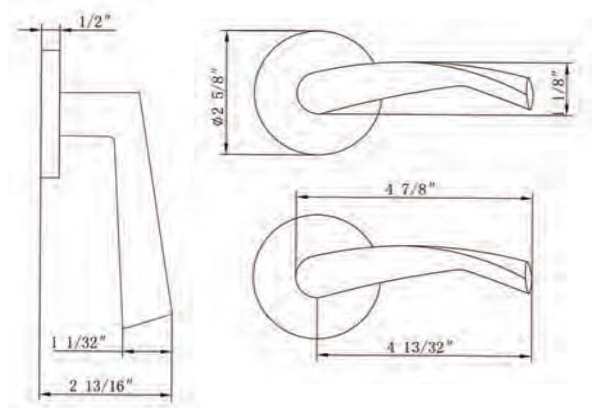
Specifications: ANSI Rated Grade 2

Door Prep	Cross bore: 2-1/8" Edge bore: 1" Latch Face: 1" x 2-1/4"	Latches	2-3/8" Standard and 2-3/4" Optional Faceplate: 1" x 2-1/4" round corner Bolt: 1/2" Solid Brass throw Drive0in or UL Available
Backset	2-3/8" Standard and 2-3/4" Optional	Strikes	Full lip round corner (9103) & square
Door Thickness	1-3/8" ~ 2", 2-1/4" & 2-1/2" Extension Kits Available	Rosette Sizes	(-6) is 2-5/8" diameter, (-7) is 2 5/8" square

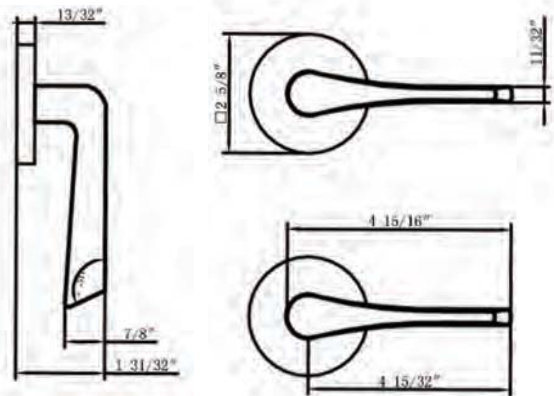
HAUTE MODERNE



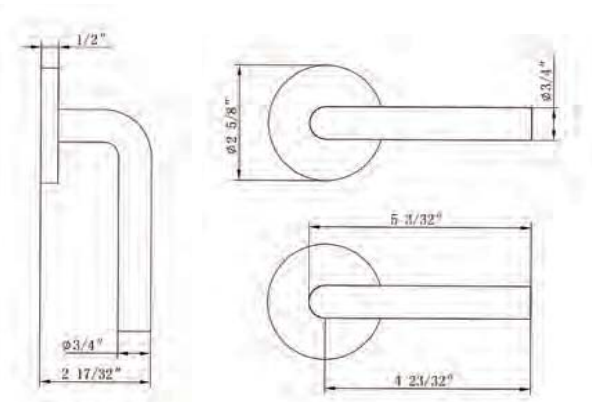
935-6
Shown in US15
Also available in: US10B, US26
Passage/Privacy
Dummy
(Specify Door Handling)



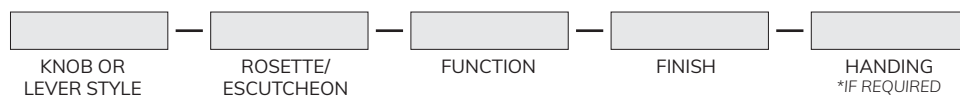
942-6
Shown in US15
Also available in: US10B, US26
Passage/Privacy
Dummy



938-6
Shown in US15
Also available in: US10B, US26
Passage/Privacy
Dummy



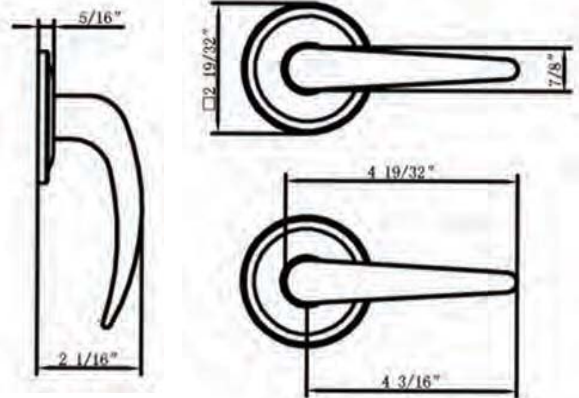
HOW TO ORDER PASSAGE & PRIVACY



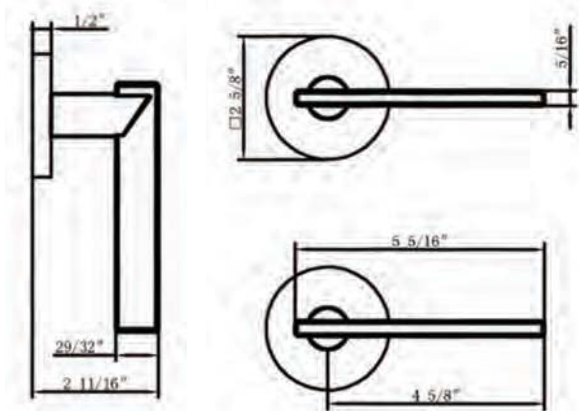
HAUTE MODERNE



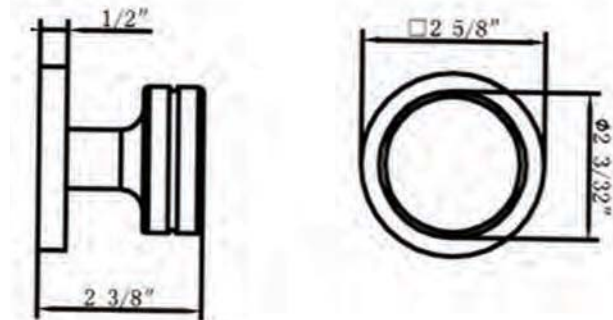
944-6
Shown in US15
Also available in: US10B, US26
Passage/Privacy
Dummy



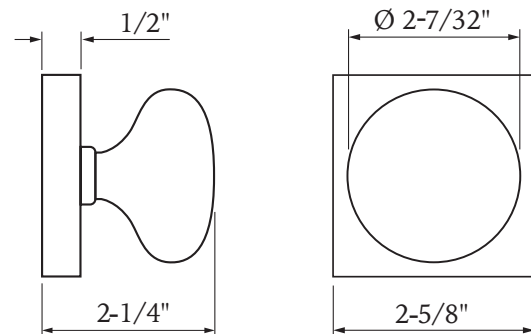
943-6
Shown in US15
Also available in: US4, US10B, US26
Passage/Privacy
Dummy



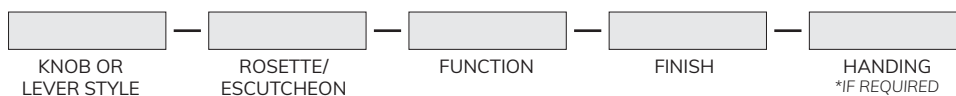
947-6
Shown in US15
Also available in: US4, US10B, US26
Passage/Privacy
Dummy



906-7
Shown in US15
Also available in: US10B, US26
Passage/Privacy
Dummy



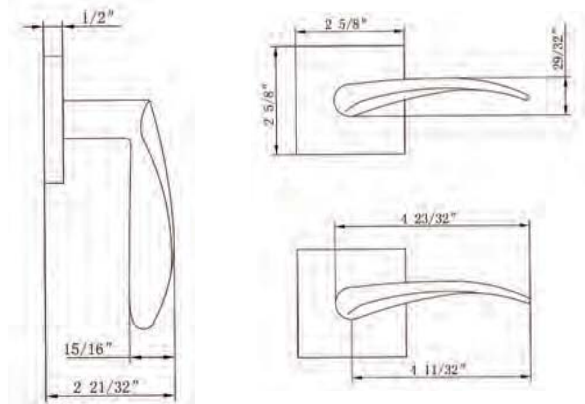
HOW TO ORDER PASSAGE & PRIVACY



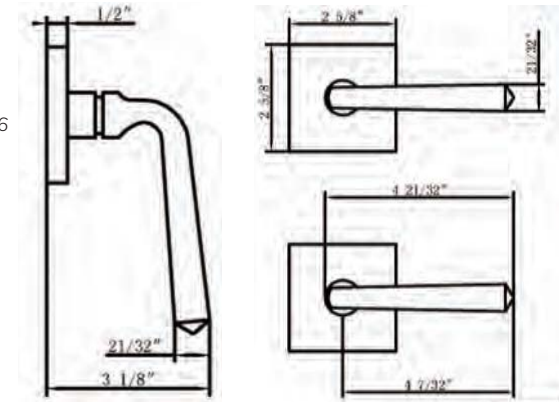
HAUTE MODERNE



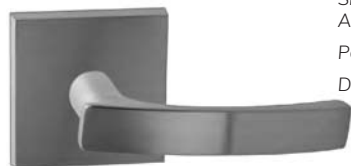
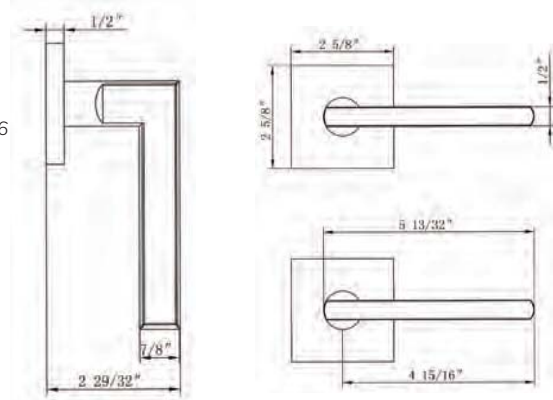
937-7
 Shown in US15
 Also available in: US10B, US26
 Passage/Privacy
 Dummy
 (Specify Door Handling)



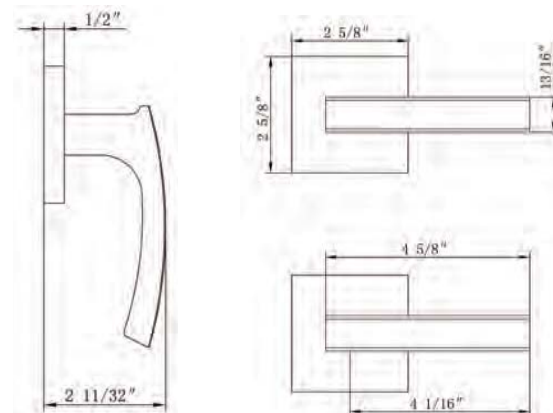
904S-7
 Shown in US15
 Also available in: US4, US10B, US19, US26
 Passage/Privacy
 Dummy



939-7
 Shown in US15
 Also available in: US4, US10B, US19, US26
 Passage/Privacy
 Dummy



940-7
 Shown in US15
 Also available in: US4, US10B, US26
 Passage/Privacy
 Dummy



HOW TO ORDER PASSAGE & PRIVACY

