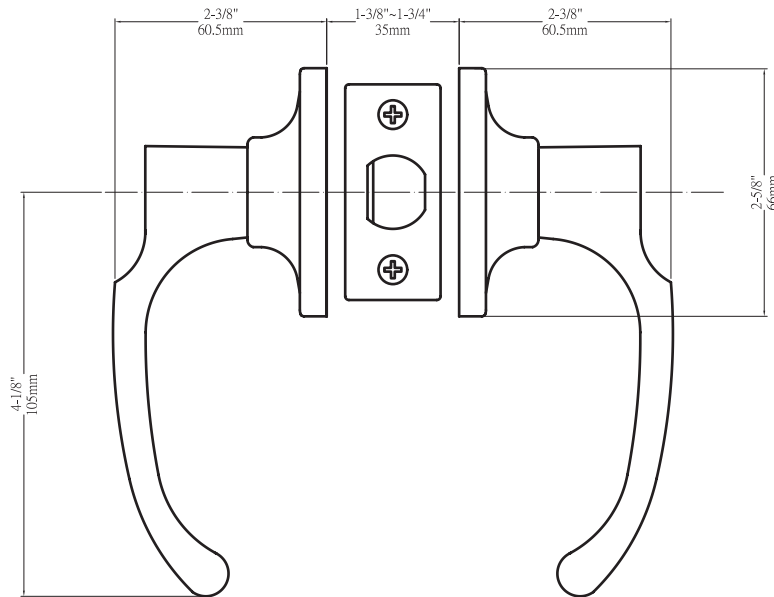


# NEWPORT® GRADE 3

# CALLAN

## DIMENSIONS

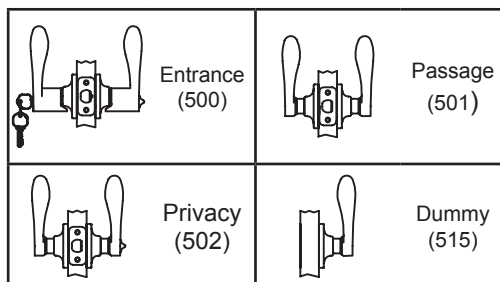


## STANDARD SPECIFICATIONS

<b>Door Prep</b>	Cross bore: 2-1/8" Edge bore: 1" Latch face: 1" x 2-1/4"
<b>Backset</b>	Fits 2-3/8" and 2-3/4"
<b>Door Thickness</b>	1-3/8" ~ 1-3/4" door standard 2-1/4" Ext. Kit available
<b>Cylinder</b>	KW1 5-pin <b>standard</b> ; SC1 5-pin optional Entries packed KA5
<b>Latches</b>	Entrance: 2-3/8" & 2-3/4" adjustable (9073) Passage/Privacy: 2-3/8" & 2-3/4" adj. (9074) Faceplate: 1" x 2-1/4" round corner Bolt: 1/2" throw
<b>Strikes</b>	1-3/4" x 2-1/4" full lip round corner (9103)
<b>Wood Screws</b>	Combination screws that suit both wood or metal door mounting
<b>Door Handing</b>	Non-handed lever

Model	Function	WT/ CTN	CTN QTY		US3 Bright Brass	US15 Satin Nickel	US15A Antique Nickel	US10B Oil Rubbed Bronze	US10BE Edged Bronze
500T - NE	Entrance	35 Lbs	20 Pcs	Item No.	KN5003	KN5001	KN5008	KN5000	KN5007
501T - NE	Passage	23 Lbs	20 Pcs	Item No.	KN5013	KN5011	KN5018	KN5010	KN5017
502T - NE	Privacy	24 Lbs	20 Pcs	Item No.	KN5023	KN5021	KN5028	KN5020	KN5027
515 - NE	Dummy	15 Lbs	20 Pcs	Item No.	KN5053	KN5051	KN5058	KN5050	KN5057

## FUNCTIONS



Extension Kits Available



# DELANEY®

Copyright © DELANEY HARDWARE. All rights reserved.