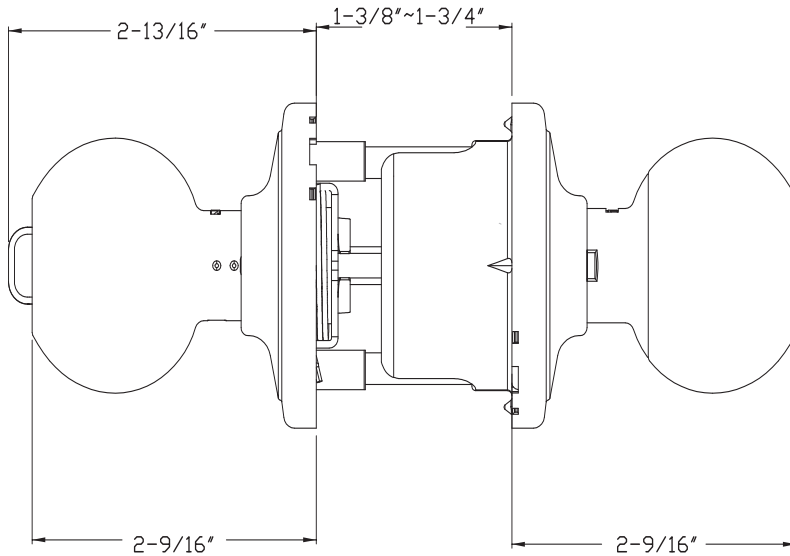


BORDAIN GRADE 2



DIMENSIONS



STANDARD SPECIFICATIONS



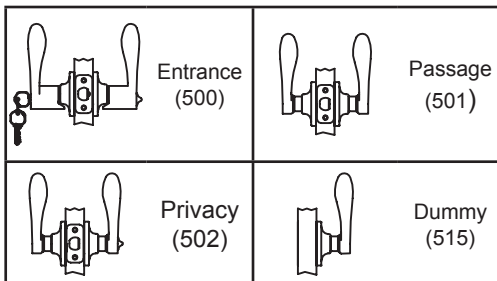
LISTED
Available



Door Prep	Cross bore: 2-1/8" Edge bore: 1" Latch face: 1" x 2-1/4"	Latches	Entrance: 2-3/8" & 2-3/4" adjustable (9060R UL) Passage/Privacy: 2-3/8" & 2-3/4" adjustable (9064R) Faceplate: 1" x 2-1/4" round corner Bolt: 1/2" throw
Backset	Fits 2-3/8" and 2-3/4"	Strikes	1-3/4" x 2-1/4" full lip round corner (9103)
Door Thickness	1-3/8" ~ 1-3/4" door standard	Wood Screws	Combination screws that suit both wood or metal door mounting
Cylinder	KW1 5-pin standard (Solid Brass) SC4 6-pin optional. Entries packed KA5	Door Handing	Entry, Passage, Privacy: Reversible Storeroom, Classroom, Dummy, Interior: Specify LH or RH
		Grade 2 Features	<ul style="list-style-type: none"> • Protective Collar • Panic Proof • Reinforced Spring Assembly • 3-Hr Fire Latch (500, 504, 509)

Model	Function	WT/CTN	CTN QTY	US32D Stainless Steel		US12P Tuscany Bronze	
				Item No.		Item No.	
100TT-BD-G2	Entrance	24 Lbs	10 Pcs	311322		311327	
101TT-BD-G2	Passage	22 Lbs	10 Pcs	314322		314327	
102TT-BD-G2	Privacy	22 Lbs	10 Pcs	312322		312327	
115TT-BD-G2	Dummy	21 Lbs	20 Pcs	315322		315327	

FUNCTIONS



HANDING GUIDE

Standing **OUTSIDE** the private area, regardless of whether the door swings toward you or away from you, if the Hinges are on the left, order a Left Hand (LH) lock. Likewise, if the Hinges are on the right, order a Right Hand (RH) lock.

