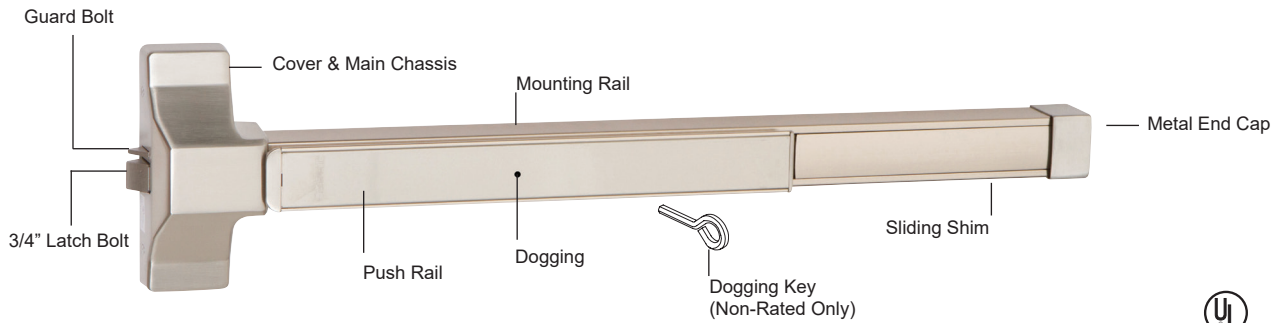
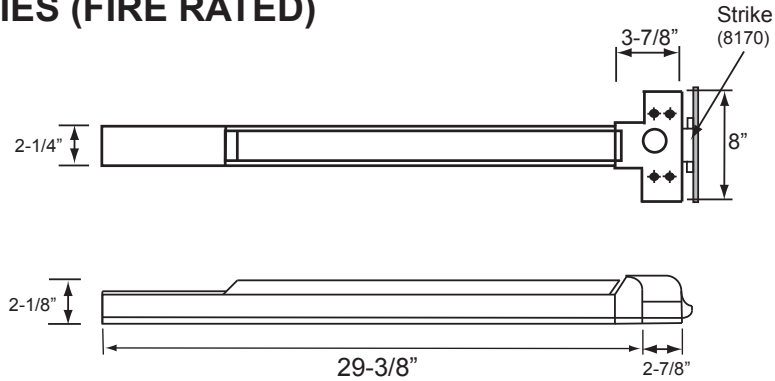


DELANEY® EXIT DEVICES

9000 SERIES / F9100 SERIES (FIRE RATED) GRADE 1 HEAVY DUTY PANIC HARDWARE RIM TYPE EXIT DEVICE



**10 YEAR
WARRANTY**

Specifications

Applications	Offices, Schools, Hospitals, Apartments, Hotel/Motels & other Public Buildings	Mounting	Furnished standard with wood & machine screws. Sex nuts and bolts (1346) optional.
Door Thickness	1-3/4" ~ 2" standard, 2-1/4" optional	Latchbolt	Zinc with 3/4" throw.
Door Size	33" to 36". Bar can be easily field cut to size	Latchbolt Spring	Stainless Steel throughout.
Stile Width	Rim: 4-1/2" minimum stile width required Vertical Rod: 3-1/2" minimum stile width required	Strike	9000 Series (Non-Rated) #8170 Steel Roller Strike 2-3/4" Backset. Optional Strike #8070 for 2-3/8" Backset. 4-7/8" Blank Strike & 161 Edge Filler
Chassis, End Cap & Rail Assembly	Painted Steel (Alum & Duro) or Stainless Steel (US32D)		F9000 Series (Fire Rated) #8070 Steel Roller Strike — 2-3/4" or 2-3/8" Backset. 4-7/8" Blank Strike & 161 Edge Filler
UL Listed	Complies with UL 305 standards. Listed for safety as Panic Hardware.		
Rating	ANSI 156.3 Grade 1		
Door Prep	Will cover stock hollow metal doors with 161 cutout	Cover	Zinc Alloy
		Handing	Non-Handed

9000 SERIES (NON-RATED)

Model	Description	WT/ CTN	QTY/ CTN		ALUMINUM	US32D Stainless Steel
9000-36	HD Rim Type Device for 36" Door	46 Lbs	4	Item No.	691300	691301
9000-36 AL	HD Rim Type Device for 36" Door with Alarm Kit "C" Cylinder	46 Lbs	4	Item No.	691300C	691301C
9000-36 AL	HD Rim Type Device for 36" Door with Alarm Kit "KW1" Cylinder	46 Lbs	4	Item No.	691300K	691301K

F9000 SERIES (FIRE RATED)

Model	Description	WT/ CTN	QTY/ CTN		ALUMINUM	US32D Stainless Steel
F9000-36	HD Fire Rim Type Device for 36" Door	46 Lbs	4	Item No.	693300	693301
				List Price		
F9000-48	HD Fire Rim Type Device for 48" Door	48 Lbs	4	Item No.	—	693302
				List Price		