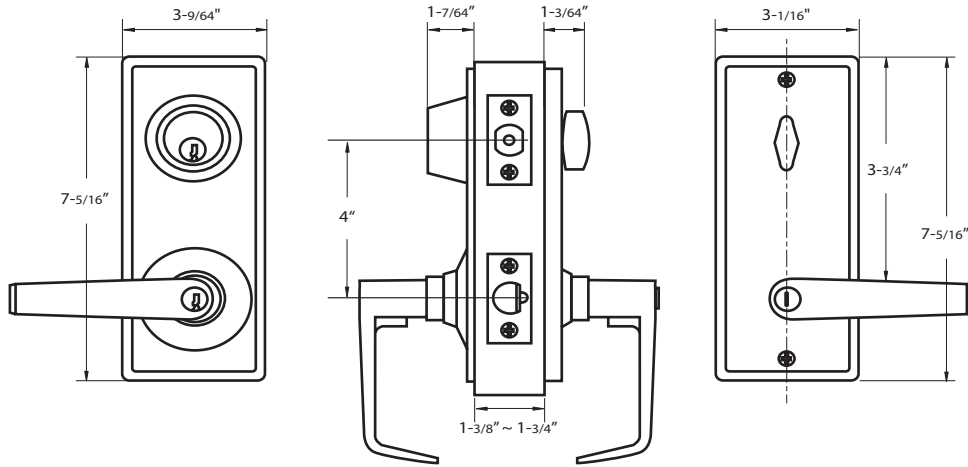


# IL SERIES - INTERCONNECTED GRADE 2 LOCK



## DIMENSIONS



## STANDARD SPECIFICATIONS



<b>Door Prep</b>	Cross bore: 2-1/8" Edge bore: 1" Entry/Pass. Latch face: 2-3/4": 1-1/8" x 2-1/4" 2-3/8": 1" x 2-1/4" Deadbolt Latch face: 1" x 2-1/4"	<b>Latches</b>	Entrance: 2-3/4" (E9070T) standard. 2-3/8" (E9060T) optional Passage: 2-3/4" (E9073T) standard. 2-3/8" (E9063T) optional Faceplate: 2-3/4": 1-1/8" x 2-1/4". 2-3/8": 1" x 2-1/4" Sq. Corner Bolt: 1/2" throw. Meets 3-Hr. Fire Rating
<b>Backset</b>	2-3/4" UL standard. 2-3/8" optional		Deadbolt: 2-3/8" and 2-3/4" adjustable (9091 UL) Faceplate: 1" x 2-1/4" square corner Bolt: Full 1" throw. Meets 3-Hr. Fire Rating
<b>Door Thickness</b>	1-3/8" ~ 1-3/4" door standard		
<b>Cylinder</b>	SC4 6-pin <b>standard</b> . KW1 5-pin optional Entries packed KD	<b>Strikes</b>	1-1/8" x 2-3/4" T-strike (9106) & Deadbolt Strike (9111)
		<b>Door Handing</b>	Not Required
<b>ANSI Standards</b>	Meets requirements of ANSI A156.2 Series 4000, GR2, 400,000 Cycles.	<b>Product Features</b>	<ul style="list-style-type: none"> <li>• Interconnected function</li> <li>• Panic Proof - Push/Turn</li> <li>• 4" O.C. bore spacing</li> </ul>

## ITEM DETAILS

Model	Function	WT/LB	CTN QTY	US15 Satin Nickel		US10B Oil Rubbed Bronze
				Item No.		
300 - IL	Entrance	45 Lbs	10 Pcs	Item No.	380002	380010
301 - IL	Passage	45 Lbs	10 Pcs	Item No.	381002	381010



**DELANEY**

Copyright © DELANEY HARDWARE. All rights reserved.