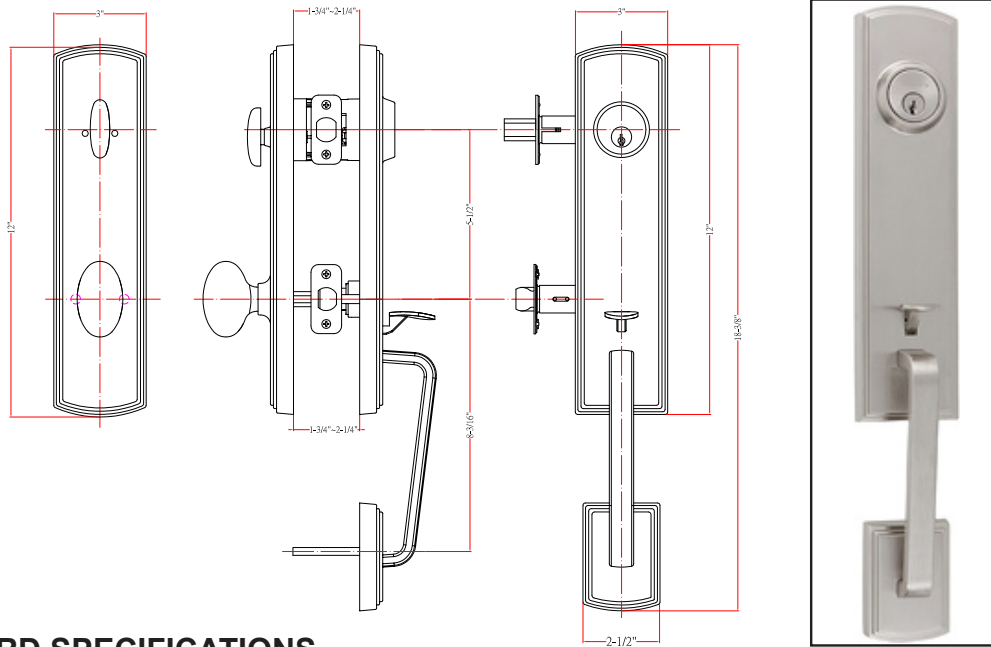


BRIONA® GRADE 3

CALLAN

DIMENSIONS

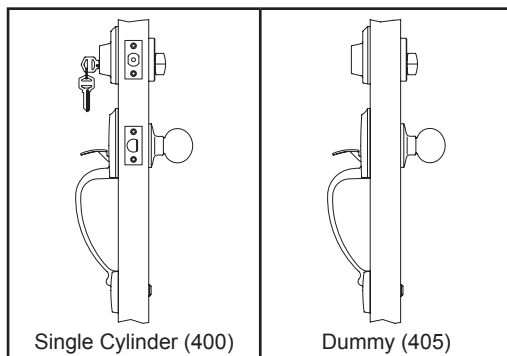


STANDARD SPECIFICATIONS

Door Prep	Deadbolt cross bore: 2-1/8" Handleset cross bore: 2-1/8" Edge bore: 1" Latch face: 1" x 2-1/4" Mounting (center to center): 5-1/2"	Latches	Deadbolt: • 2-3/8" & 2-3/4" adjustable (C9098 R/S) • Faceplate: 1" x 2-1/4" round corner • Bolt: 1" throw with hardened steel rod Handle: • 2-3/8" and 2-3/4" adjustable (C9064 R/S) • Faceplate: 1" x 2-1/4" round corner
Backset	Fits 2-3/8" and 2-3/4"		
Door Thickness	1-3/4" ~ 2-1/4" door standard. (Santo Knob req. Ext. Kit)	Handing	Specify handing when ordering lever as interior option
Cylinder	SC1 5-pin standard; KW1 5-pin optional. Handlesets packed KD	Wood Screws	Combination screws suit both wood or metal door mounting Includes 3" Security Screws
Strikes	Deadbolt: 2-1/4" Rd. & Sq. corner (9118 R&S) 1-1/8" X 2-3/4" Thumbpiece: 2-1/4" full lip Rd. & Sq. corner (9103 & 9102). Includes Reinforcement Strikes.	Features	<ul style="list-style-type: none"> Protective collar High Security Strike Plate Interlocking installation guides Reinforced spring assembly

Model	Function	WT/ CTN	CTN QTY	CALLAN 2 Finishes		Additional Briona Finishes		
				US15 Satin Nickel	US10BE Edged Bronze	Antique Silver	Black	
400-BN	Single Cylinder	36 Lbs	4 Pcs	Item No.	374101	374107	374102	374104
405-BN	Dummy	32 Lbs	4 Pcs	Item No.	374151	374157	374152	374154

FUNCTIONS



Single Cylinder (400)

Dummy (405)



DELANEY®

Copyright © DELANEY HARDWARE. All rights reserved.