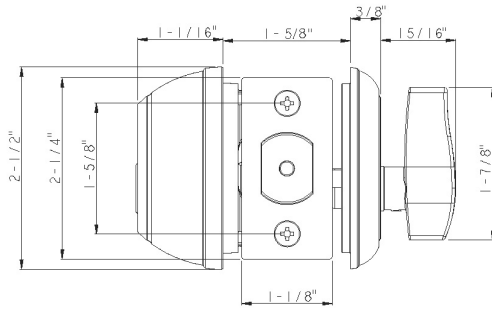


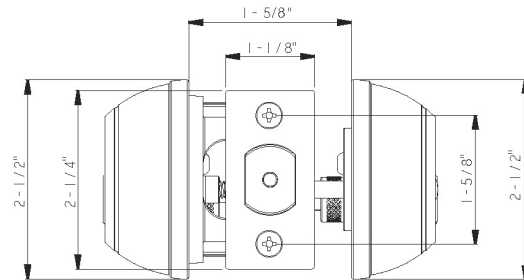
# LM SERIES - GRADE 1 COMMERCIAL DEADBOLT



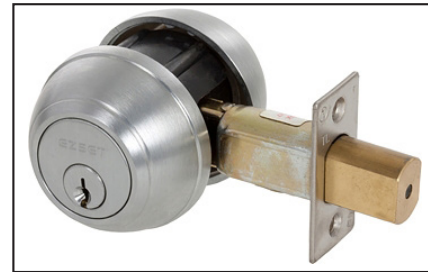
## DIMENSIONS



LM - SINGLE CYLINDER (200)



LM - DOUBLE CYLINDER (210)



## STANDARD SPECIFICATIONS



<b>Door Prep</b>	Cross bore: 2-1/8" Edge bore: 1" Latch face: 2-3/4: 1-1/8" x 2-1/4". 2-3/8": 1" x 2-1/4"	<b>Latches</b>	Deadbolt: 2-3/4" (9058) standard, 2-3/8" (9057) optional Faceplate: 2-3/4: 1-1/8" x 2-1/4". 2-3/8" 1" x 2-1/4" Sq. Corner Bolt: Full 1" throw. 3 Hr. Fire Rating
<b>Backset</b>	2-3/4" UL Latch standard, 2-3/8" optional	<b>Strikes</b>	1-1/8" x 2-1/4" (9121). Includes reinforcement plate
<b>Door Thickness</b>	1-9/16" ~ 2" door standard	<b>Screws</b>	Combination screws that suit both wood or metal door mounting Includes 3" Security Screws
<b>Cylinder</b>	SC4 6-pin <b>standard</b> Deadbolts packed KA2	<b>Door Handing</b>	Not Required
<b>Interchangeable Core</b>	Optional small-format 6-pin or 7-pin available	<b>Product Features</b>	<ul style="list-style-type: none"> <li>Protection Sleeve</li> <li>Free Spinning Cylinder Collar</li> <li>Hardened Steel Rod Latch Insert</li> </ul>

## ITEM DETAILS

Model	Function	WT/LB	CTN QTY		US26D - Dull Chrome	US10B - Oil Rubbed Bronze
200-LM	Single Cylinder	21 Lbs	12 Pcs	Item No.	301601	301600
210 LM	Double Cylinder	34 Lbs	12 Pcs	Item No.	—	321600
200 LM-IC Removable Core	Single Cylinder Removable Core (Core not Included)	41 Lbs	12 Pcs	Item No.	301702	300710
Core Only	6-Pin SFIC Core Only	5 Lbs	10 Pcs	Item No.	300600C	—
Core Only	7-Pin SFIC Core Only	5 Lbs	10 Pcs	Item No.	300600D	—



**DELANEY**

Copyright © DELANEY HARDWARE. All rights reserved.