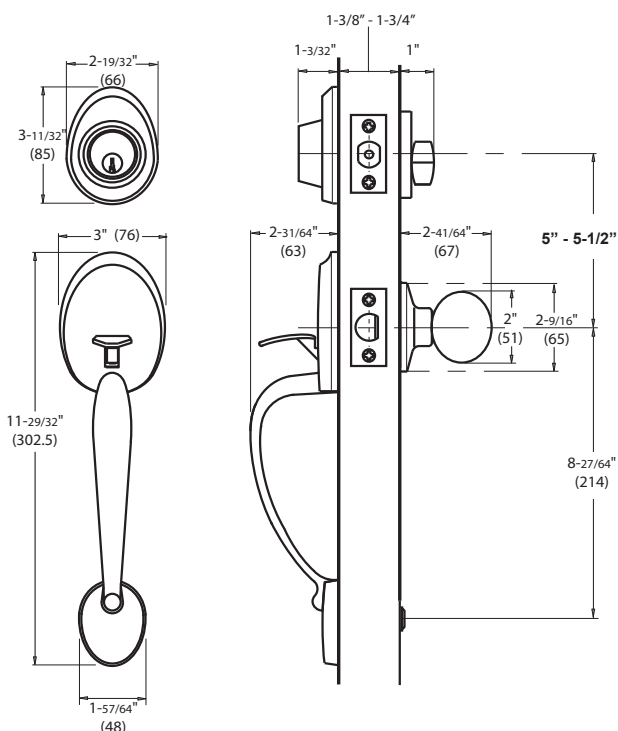


## DIMENSIONS



## STANDARD SPECIFICATIONS

<b>Door Prep</b>	Deadbolt cross bore: 2-1/8" Handleset cross bore: 2-1/8" Edge bore: 1" Latch face: 1" x 2-1/4" Mounting (center to center): 5" - 5-1/2" recommended
<b>Backset</b>	Fits 2-3/8" and 2-3/4"
<b>Door Thickness</b>	1-3/8" ~ 1-3/4" door standard 2-1/4" Ext. Kit available
<b>Cylinder</b>	KW1 5-pin <b>standard</b> SC1 5-Pin optional. Handlesets packed KD
<b>Latches</b>	Upper: 2-3/8" and 2-3/4" adjustable (9092) Faceplate: 1" x 2-1/4" round corner Bolt: Solid Brass with hardened steel rod, full 1" throw  Lower: 2-3/8" and 2-3/4" adjustable (9080R) (for lever and knob) Faceplate: 1" x 2-1/4" round corner Bolt: Solid brass 1/2" throw  Brass Lever 2-3/8" and 2-3/4" adjustable (9079R) Interior: Faceplate: 1" x 2-1/4" round corner Bolt: Solid brass 1/2" throw.
<b>Strikes</b>	Deadbolt: 2-1/4" full lip round corner (9117 & 9113) Thumbpiece: 2-1/4" full lip round corner (9103)
<b>Wood Screws</b>	Combination screws that suit both wood or metal door mounting
<b>Door Handing</b>	Specify handing when ordering lever as interior option

Model	Function	WT/ CTN	CTN QTY	Finish Options				
				US15 Satin Nickel	US3 Polished Brass	US10B Oil Rubbed Bronze	US12P Tuscany Bronze	
400-TR	Single Cylinder	33 Lbs	10 Pcs	Item No.	D40700	D40703	D40710	D40712
405-TR	Dummy	30 Lbs	10 Pcs	Item No.	D40701	D40704	D40711	D40757
410-TR	Double Cylinder	35 Lbs	10 Pcs	Item No.	D41700	D41703	D41710	D41712

## FUNCTIONS

