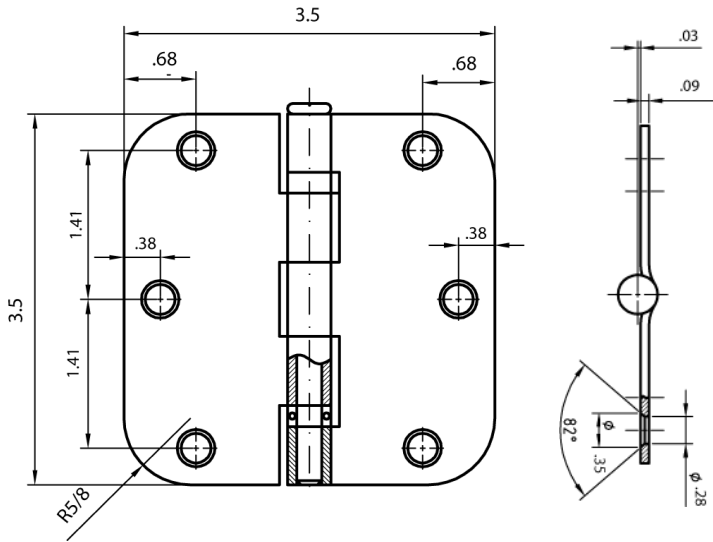


3 1/2" X 3 1/2" RESIDENTIAL BALL BEARING HINGES



SPECIFICATIONS

- #9 x 1" wood screws supplied
- #9 x 2" wood screws additional
- Gauge 0.087" Steel
- Bulk packaged 50 pair / CTN, 45 lbs.
- Priced and sold by the pair (2 Hinges)

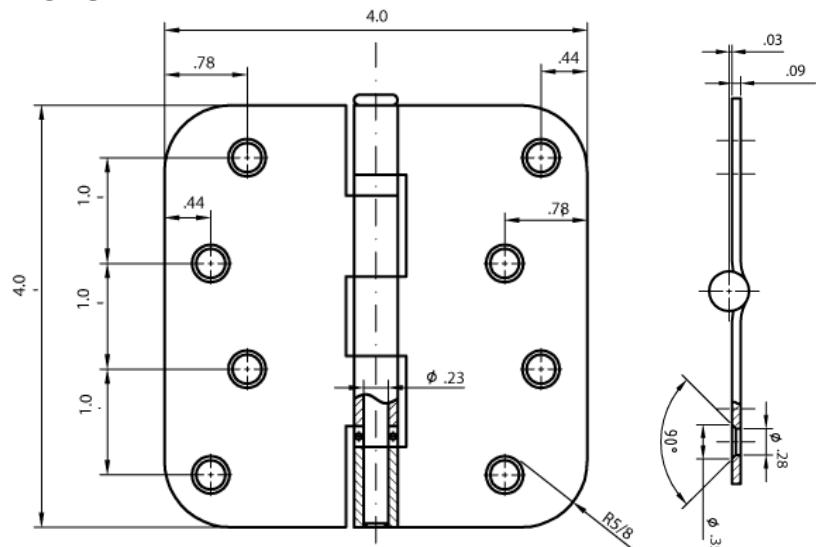
Base Metal: Steel

Description	Radius	US3	US10B	US15	
		Polished Brass	Oil Rubbed Bronze	Satin Nickel	
3 1/2" x 3 1/2" Ball Bearing Hinge	5/8"	Item No.	RH6503	RH6510	RH6515

4" X 4" RESIDENTIAL BALL BEARING HINGES

SPECIFICATIONS

- #9 X 1" wood screws supplied
- #9 x 2" wood screws additional
- Gauge 0.087" Steel
- Bulk packaged 50 pair / CTN, 50 lbs.
- Priced and sold by the pair (2 Hinges)



Base Metal: Steel

Description	Radius	US3	US10B	US15	
		Polished Brass	Oil Rubbed Bronze	Satin Nickel	
4" x 4" Ball Bearing Hinge	5/8"	Item No.	RH7503	RH7510	RH7515



DELANEY

Copyright © DELANEY HARDWARE. All rights reserved.