

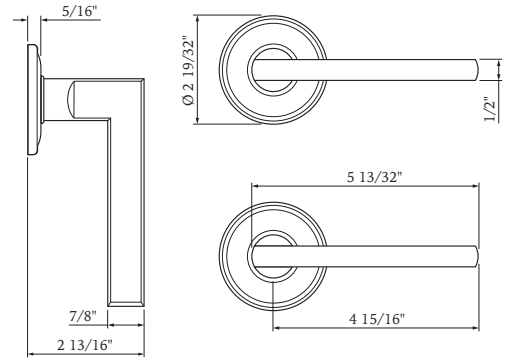
Specifications: ANSI Rated Grade 2

Door Prep	Deadbolt cross bore: 2-1/8" Cross bore: 2-1/8" Edge bore: 1" Latch Face: 1" x 2-1/4"	Latches	2-3/8" Standard and 2-3/4" Optional Faceplate: 1" x 2-1/4" round corner Bolt: 1/2" Solid Brass throw Drive0in or UL Available
Backset	2-3/8" Standard and 2-3/4" Optional	Strikes	Full lip round corner (9103) & square
Door Thickness	1-3/8" ~ 2", 2-1/4" & 2-1/2" Extension Kits Available	Cylinder	SC4 6-Pin standard. KW1 5-Pin Optional Handlesets packed KD

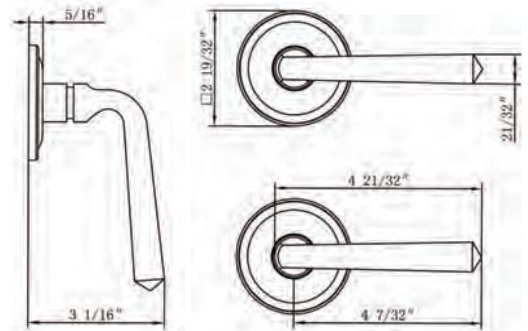
ELITE SOLID ZINC



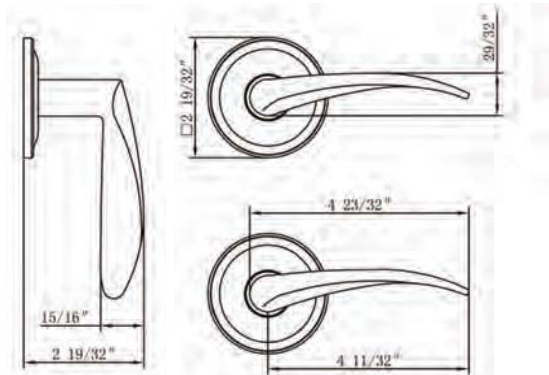
333B
Shown in US15
Also available in: US26, US10B
Passage/Privacy
Dummy



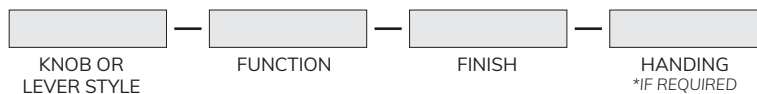
334SB
Shown in US15
Also available in: PVD, US10B, US26
Passage/Privacy
Dummy



337B
Shown in US15
Also available in: PVD, US10B, US26
Passage/Privacy
Dummy
(Specify Door Handling)



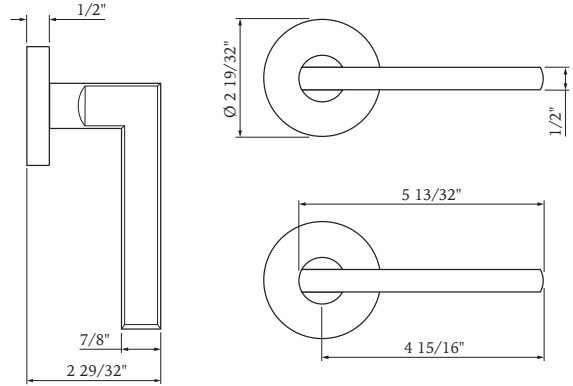
HOW TO ORDER ELITE SERIES



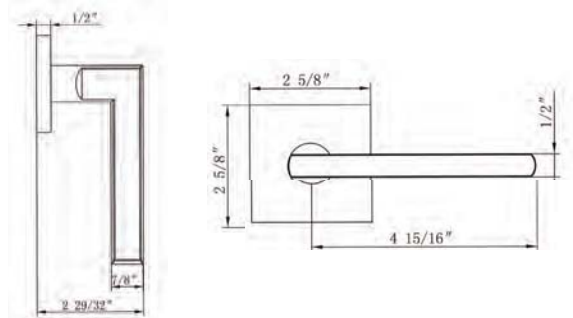
ELITE SOLID ZINC



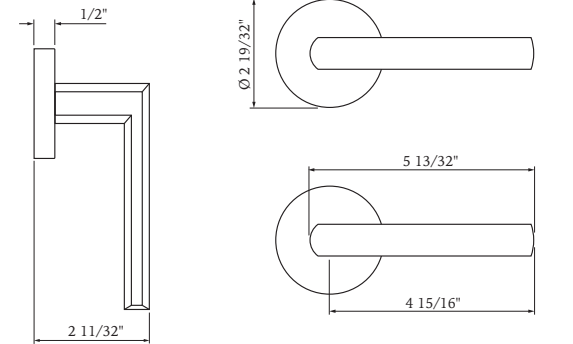
333RC
 Shown in US15
 Also available in: US10B, US14
 Passage/Privacy
 Dummy



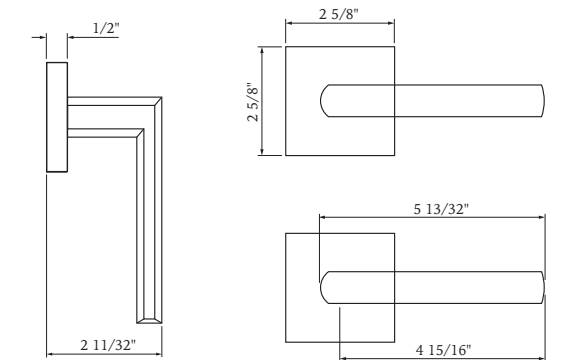
333SC
 Shown in US10B
 Also available in: US15, US14
 Passage/Privacy
 Dummy



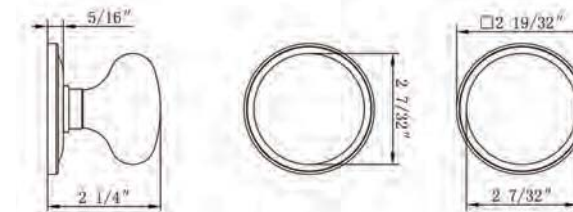
338RC
 Shown in US15
 Also available in: US10B, US14
 Passage/Privacy
 Dummy



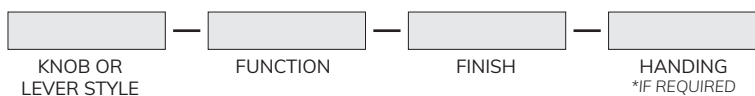
338SC
 Shown in US10B
 Also available in: US15, US14
 Passage/Privacy
 Dummy



336B
 Shown in US10B
 Also available in: US15
 Passage/Privacy
 Dummy



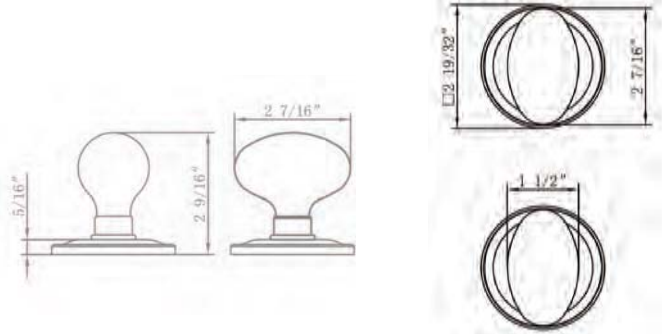
HOW TO ORDER ELITE SERIES



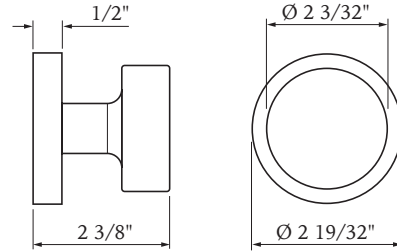
ELITE SOLID ZINC



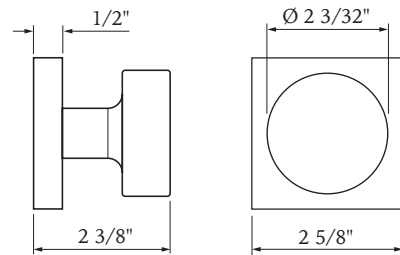
335B
Available in US10B
Passage/Privacy
Dummy



347RC
Shown in US15
Also available in: US10B, US14
Passage/Privacy
Dummy



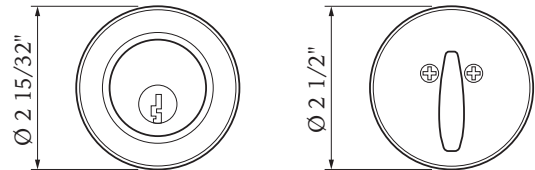
347SC
Shown in US10B
Also available in: US15, US14
Passage/Privacy
Dummy



Outside

Inside

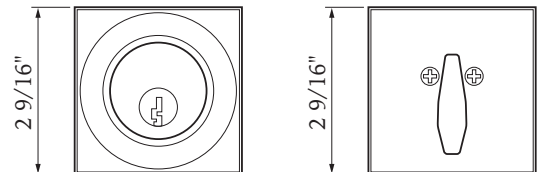
310RC
Shown in US10B
Also available in: US14, US15
Single Keyed



Outside

Inside

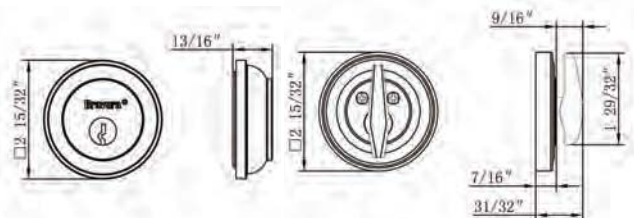
310SC
Shown in US15
Also available in: US10B, US14
Single Keyed



Outside

Inside

310B / 360B
Shown in US10B
Also available in: PVD, US15, US26
Single Keyed
Double Keyed



HOW TO ORDER ELITE SERIES

