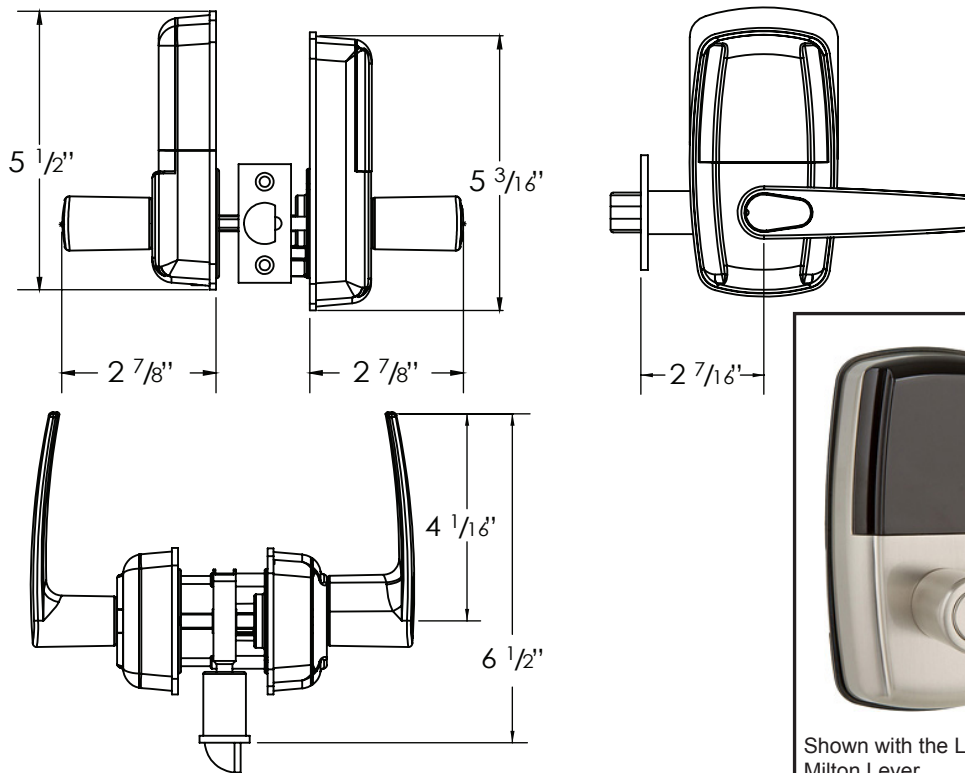


# SR500 RFID LOCK (RESIDENTIAL)



## DIMENSIONS



## STANDARD SPECIFICATIONS

<b>Door Prep</b>	Cross bore: 2-1/8" Edge bore: 1" Latch face: 1" x 2-1/4"	<b>Cards</b>	Distance: 0" - 2" Proximity Verification Time: <1 second Capacity: SR500=99 Cards
<b>Backset</b>	Fits 2-3/8" and 2-3/4"	<b>Cards Included</b>	SR500 Only: 1 Master Card, 2 Credit Card size, 2 Key Chain size
<b>Door Thickness</b>	1-3/8" ~ 2" door	<b>Power &amp; Battery Life</b>	6V (4-AA batteries included), lasts for 10,000+ uses
<b>Cylinder</b>	<b>KW1 5-pin only</b>	<b>Warranty Period</b>	2 Years
<b>Latches</b>	Deadlatch for maximum security	<b>SR500 Programming</b>	Stand-alone unit
<b>Strikes</b>	9103 & 9101	<b>Door Handing</b>	Specify RH or LH when ordering

## PRICING

Model	Function	WT/CTN	CTN QTY	US15 Satin Nickel		US10B Oil Rubbed Bronze	
				Item No.	List Price	Item No.	List Price
SR500	RFID Lockset (Residential) w/ Milton Lever Includes 5-Card Set	36 Lbs	8 Pcs	301630		301631	
SR500	RFID Lockset (Residential) w/ Logan Lever Includes 5-Card Set	36 Lbs	8 Pc	301632		301633	

