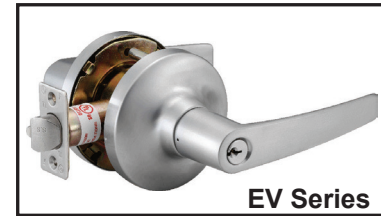
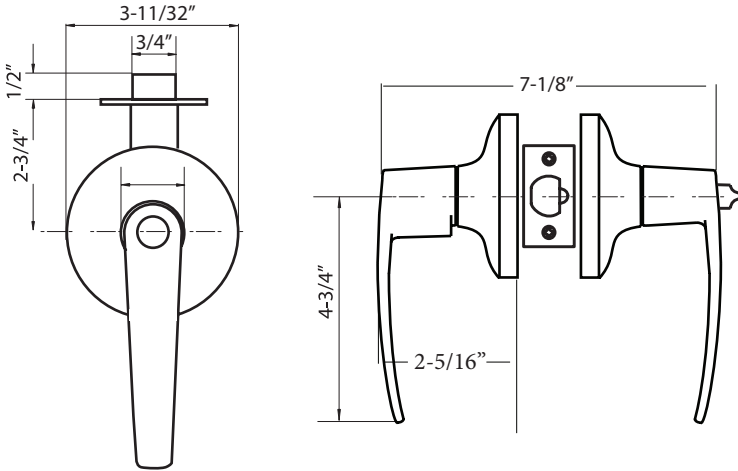


E SERIES - MD STYLE GRADE 2 CYLINDRICAL LEVER



DIMENSIONS



STANDARD SPECIFICATIONS



Door Prep	Cross bore: 2-1/8" Edge bore: 1" Latch face: 2-3/4"; 1-1/8" x 2-1/4" 2-3/8": 1" x 2-1/4"	Latches	Entrance: 2-3/4" (E9070T) standard. 2-3/8" (E9060T) optional Pass/Priv: 2-3/4" (E9073T) standard. 2-3/8" (E9063T) optional Faceplate: 2-3/4": 1-1/8" x 2-1/4". 2-3/8": 1" x 2-1/4" Sq. Corner Bolt: 1/2" Stainless Steel throw. Meets 3-Hr. Fire Rating
Backset	2-3/4" UL Latch standard, 2-3/8" optional	Strikes	4-7/8" ANSI Strike standard (9109)
Door Thickness	1-3/8" ~ 2". Adjustable mounting plate	Door Handing	Not Required
Cylinder	SC4 6-pin standard, KW1 5-pin optional Entries packed KA2	Interchangeable Core	CT & SD styles only
ANSI & Federal Standards	<ul style="list-style-type: none"> Meets & exceeds requirements of BHMA/ANSI A156.2 Series 4000, GR2, 400,000 Cycles. Meets FF-H-106C Federal Standard. 	Product Features	<ul style="list-style-type: none"> Independent Torsion Spring Concealed Mounting Screws Clutch Function Removable Through Bolts Anti-Friction Latch Retractor Panic Proof - Push/Turn

ITEM DETAILS

Model	Function	WT/LB	CTN QTY	US26D Dull Chrome		US10B Oil Rubbed Bronze	
				Item No.		Item No.	
500-E	Entrance	29 Lbs	6 Pcs	3M5002		3M5000	
504-E	Storeroom	29 Lbs	6 Pcs	3M5042		3M5040	
509-E	Classroom	29 Lbs	6 Pcs	3M5092		3M5090	
501-E	Passage	26 Lbs	6 Pcs	3M5012		3M5010	
502-E	Privacy	26 Lbs	6 Pcs	3M5022		3M5020	
515-E	Dummy	18 Lbs	12 Pcs	3M5052		3M5050	



DELANEY®

Copyright © DELANEY HARDWARE. All rights reserved.