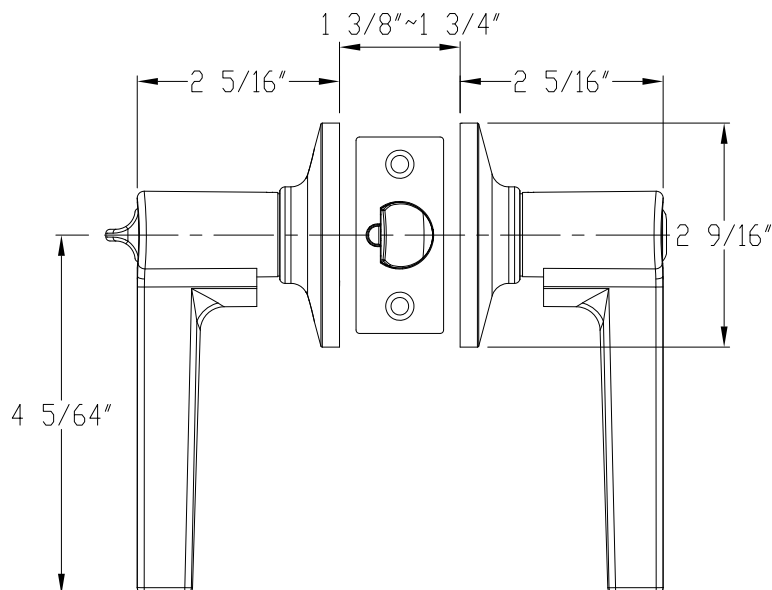


TULINA™

GRADE 3



DIMENSIONS



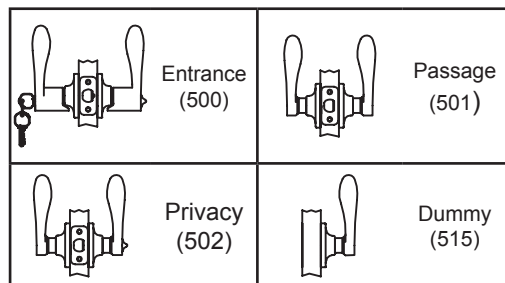
STANDARD SPECIFICATIONS

Door Prep	Cross bore: 2-1/8" Edge bore: 1" Latch face: 1" x 2-1/4"
Backset	Fits 2-3/8" and 2-3/4", UL Available
Door Thickness	1-3/8" ~ 1-3/4" door standard
Cylinder	KW1 5-pin standard (Solid Brass) SC1 5-Pin optional. Entries packed KA5
Latches <i>(6-Way Available)</i>	Entrance: 2-3/8" & 2-3/4" adjustable (9045R) Passage/Privacy: 2-3/8" & 2-3/4" adj. (9074) Faceplate: 1" x 2-1/4" round corner Bolt: 1/2" throw
Strikes	1-3/4" x 2-1/4" full lip round corner (9103)
Wood Screws	Combination screws that suit both wood or metal door mounting
Door Handing	Non Handed



Model	Function	WT/ CTN	CTN QTY	Finish Options			
				US15 Satin Nickel	US26 Polished Chrome	US12P Tuscany Bronze	
500T - TA	Entrance	26 Lbs	20 Pcs	Item No.	D20220	D20226	D20227
500T - TA	Push Button Entry (Panic Proof)	26 Lbs	20 Pcs	Item No.	D20220P	D20226P	D20227P
501T - TA	Passage	23 Lbs	20 Pcs	Item No.	D24220	D24226	D24227
502T - TA	Privacy	24 Lbs	20 Pcs	Item No.	D22220	D22226	D22227
502T - TA	Push Button Privacy (Panic Proof)	24 Lbs	20 Pcs	Item No.	D22220	D22226	D22227
515 - TA	Dummy	15 Lbs	20 Pcs	Item No.	D25220	D25226	D25227

FUNCTIONS



HANDING GUIDE

