

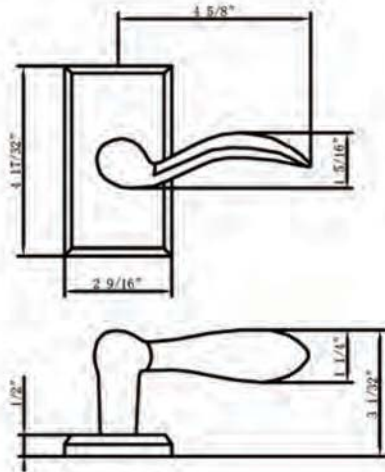
## Specifications: ANSI Rated Grade 2

<b>Door Prep</b>	Cross bore: 2-1/8" Edge bore: 1" Latch Face: 1" x 2-1/4"	<b>Latches</b>	2-3/8" Standard and 2-3/4" Optional Faceplate: 1" x 2-1/4" round corner Bolt: 1/2" Solid Brass throw Drive0in or UL Available
<b>Backset</b>	2-3/8" Standard and 2-3/4" Optional	<b>Strikes</b>	Full lip round corner (9103) & square
<b>Door Thickness</b>	1-3/8" ~ 2", 2-1/4" & 2-1/2" Extension Kits Available		

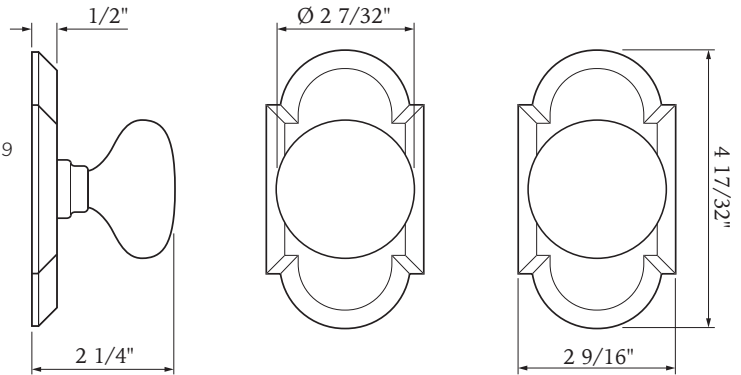
## RUSTICO GRANDE



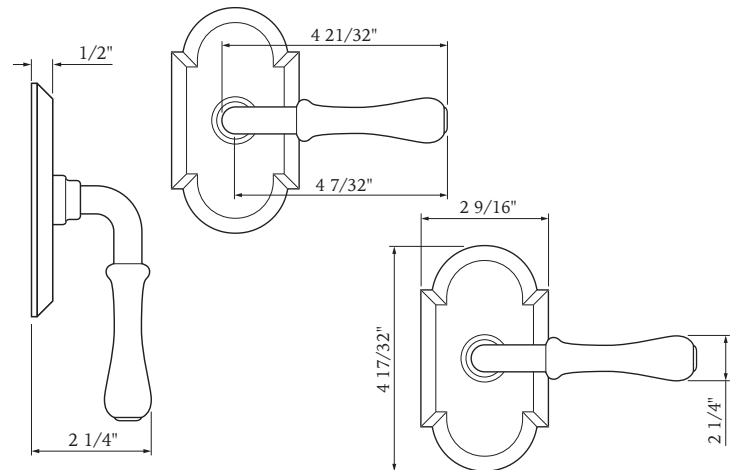
**909G-1**  
Shown in USD10B  
Also available in: US10B, US15, USD15A, US19  
Passage/Privacy  
Dummy



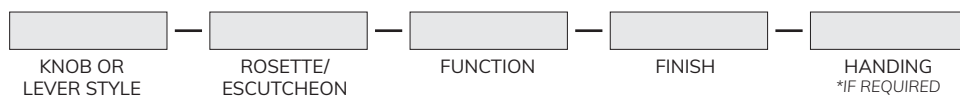
**936G-2**  
Shown in US15  
Also available in: US10B, USD15A, US19  
Passage/Privacy  
Dummy



**931G-2**  
Shown in US15  
Also available in: US4, US10B, US19  
Passage/Privacy  
Dummy



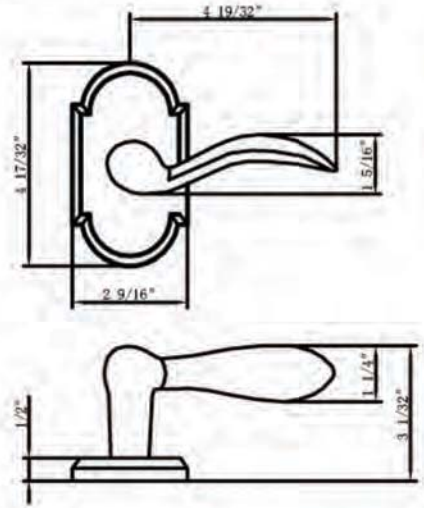
### HOW TO ORDER PASSAGE & PRIVACY



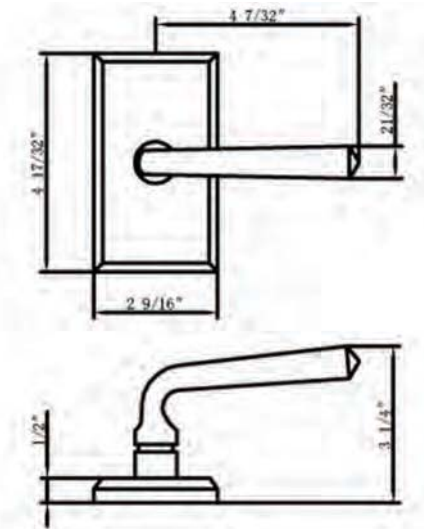
### RUSTICO GRANDE



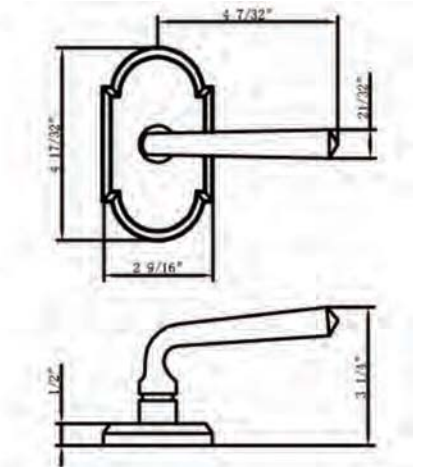
**909G-2**  
 Shown in USD15A  
 Also available in: US10B, US15, US19  
 Passage/Privacy  
 Dummy  
 (Specify Door Handling)



**904SG-1**  
 Shown in USD10B  
 Also available in: US4, US10B, US15,  
 USD15A, US19  
 Passage/Privacy  
 Dummy



**904SG-2**  
 Shown in USD15A  
 Also available in: US10B, US15, US19  
 Passage/Privacy  
 Dummy



#### HOW TO ORDER PASSAGE & PRIVACY

