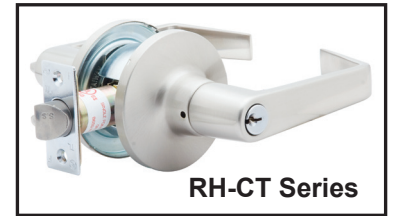
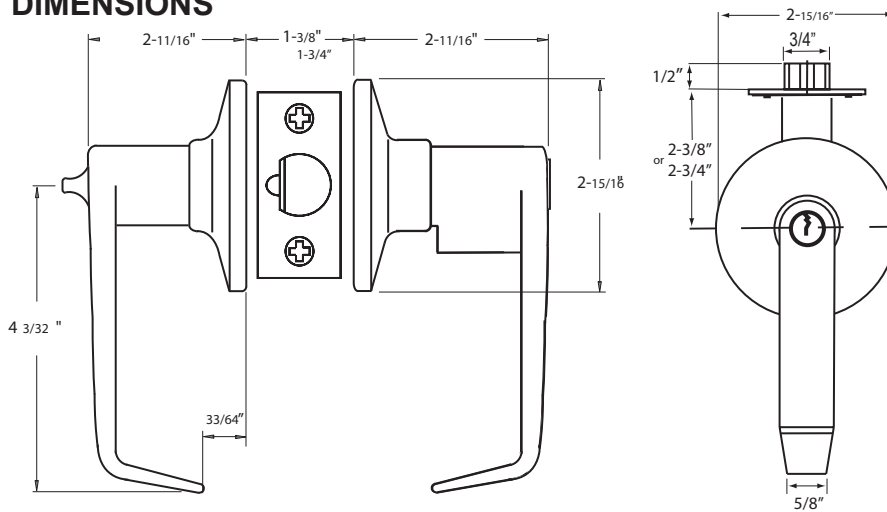


RH SERIES - CT STYLE GRADE 2 TUBULAR LEVER



DIMENSIONS



STANDARD SPECIFICATIONS



Door Prep	Cross bore: 2-1/8" Edge bore: 1" Latch face: 1" x 2-1/4"	Latches	Entrance: 2-3/8" & 2-3/4" adjustable (9060 UL) Passage/Privacy: 2-3/8" & 2-3/4" adjustable (9064) Faceplate: 1" x 2-1/4" round corner Bolt: 1/2" throw. Meets 3-Hr Fire Rating
Backset	Adjustable 2-3/8" and 2-3/4"	Strikes	1-1/8" x 2-3/4" T-strike (9101)
Door Thickness	1-3/8" ~ 2"	Door Handing	Not Required
Cylinder	SC4 6-pin standard . KW1 5-pin optional Entries packed KA2	Product Features	<ul style="list-style-type: none"> • Concealed Mounting Screws • Protective Sleeve • Interlocking Screw Posts • Push Button Locking • Panic Proof
ANSI & Federal Standards	Meets requirements of BHMA/ANSI A156.2 Series 4000, GR2, 400,000 Cycles.		

ITEM DETAILS

Model	Function	WT/LB	CTN QTY	US26D Dull Chrome		US10B Oil Rubbed Bronze	
				Item No.		Item No.	
500-RH-CT	Entrance	29 Lbs	10 Pcs	Item No.	321322	Item No.	321320
504-RH-CT	Storeroom	29 Lbs	10 Pcs	Item No.	326322	Item No.	326320
509-RH-CT	Classroom	29 Lbs	10 Pcs	Item No.	329322	Item No.	329320
501-RH-CT	Passage	26 Lbs	10 Pcs	Item No.	324322	Item No.	324320
502-RH-CT	Privacy	26 Lbs	10 Pcs	Item No.	322322	Item No.	322320
515-RH-CT	Dummy	18 Lbs	20 Pcs	Item No.	325322	Item No.	325320



DELANEY

Copyright © DELANEY HARDWARE. All rights reserved.