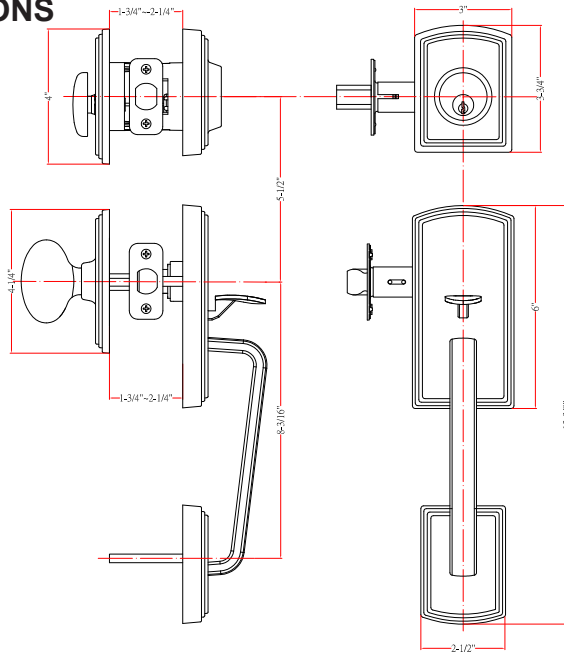


VISCONTI® GRADE 3

CALLAN

DIMENSIONS

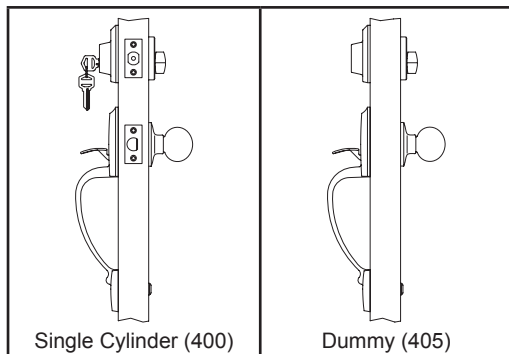


STANDARD SPECIFICATIONS

Door Prep	Deadbolt cross bore: 2-1/8" Handleset cross bore: 2-1/8" Edge bore: 1" Latch face: 1" x 2-1/4" Mounting (center to center): 5-1/2"	Latches	Deadbolt: • 2-3/8" & 2-3/4" adjustable (C9098 R/S) • Faceplate: 1" x 2-1/4" round corner • Bolt: 1" throw with hardened steel rod Handle: • 2-3/8" and 2-3/4" adjustable (C9064 R/S) • Faceplate: 1" x 2-1/4" round corner
Backset	Fits 2-3/8" and 2-3/4"	Handing	Specify handing when ordering lever as interior option
Door Thickness	1-3/4" ~ 2-1/4" door standard. (Santo Knob req. Ext. Kit)	Wood Screws	Combination screws suit both wood or metal door mounting Includes 3" Security Screws
Cylinder	SC1 5-pin standard; KW1 5-pin optional. Handlesets packed KD	Features	• Protective collar • High Security Strike Plate • Interlocking installation guides • Reinforced spring assembly
Strikes	Deadbolt: 2-1/4" Rd. & Sq. corner (9118 R&S) 1-1/8"X2-3/4" Thumbpiece: 2-1/4" full lip Rd. & Sq. corner (9103 & 9102). Includes Reinforcement Strikes.		

Model	Function	WT/CTN	CTN QTY	CALLAN 2 Finishes		Other Visconti Finish	
				US15 Satin Nickel	US10BE Edged Bronze	Black	
400-VN	Single Cylinder	35 Lbs	4 Pcs	Item No.	374001	374007	374004
405-VN	Dummy	31 Lbs	4 Pcs	Item No.	374051	374057	374054

FUNCTIONS



DELANEY®

Copyright © DELANEY HARDWARE. All rights reserved.