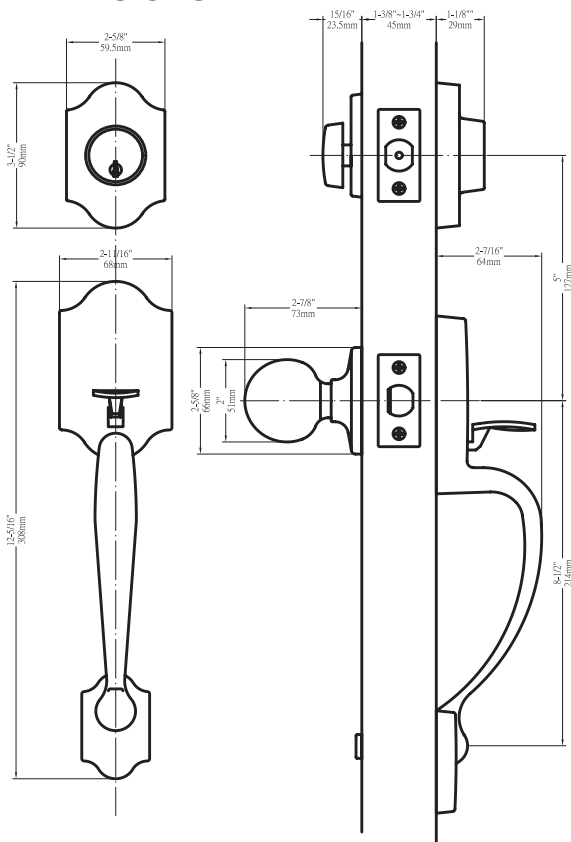


# CHATHAM® GRADE 3

# CALLAN

## DIMENSIONS

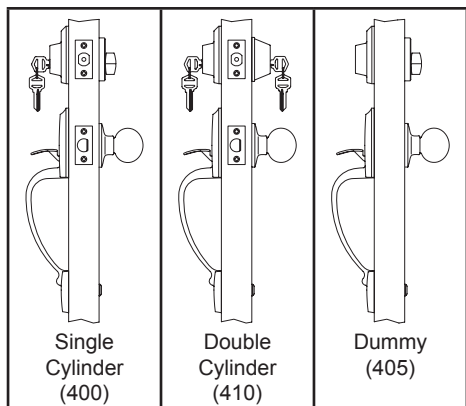


## STANDARD SPECIFICATIONS

<b>Door Prep</b>	Deadbolt cross bore: 2-1/8" Handleset cross bore: 2-1/8" Edge bore: 1" Latch face: 1" x 2-1/4" Mounting bore distance (center to center): 5" - 5 1/2" recommended
<b>Backset</b>	Fits 2-3/8" and 2-3/4"
<b>Door Thickness</b>	1-3/8" ~ 1-3/4" door standard 2-1/4" Ext. Kit available
<b>Cylinder</b>	KW1 5-pin <b>standard</b> ; SC1 5-pin optional Handlesets packed KD
<b>Latches</b>	Upper: 2-3/8" and 2-3/4" adjustable (9092) Faceplate: 1" x 2-1/4" round corner Bolt: 1" Bolt with hardened steel rod  Lower: 2-3/8" and 2-3/4" adjustable (9074) (for lever and knob) Faceplate: 1" x 2-1/4" round corner Bolt: Solid brass 1/2" throw
<b>Strikes</b>	Deadbolt: 2-1/4" full lip round corner (9113 & 9117) Thumbpiece: 2-1/4" full lip round corner (9103)
<b>Wood Screws</b>	Combination screws that suit both wood or metal door mounting
<b>Door Handing</b>	Specify handing when ordering lever as interior option

Model	Function	WT/ CTN	CTN QTY		US3 Bright Brass	US15 Satin Nickel	US15A Antique Nickel	US26 Polished Chrome	US10B Oil Rubbed Bronze	US10BE Edged Bronze	Black	Antique Silver
400-CT	Single Cylinder	33 Lbs	10 Pcs	Item No.	KA6003	KA6001	KA6008	KA6006	KA6000	KA6007	KA6004	KA6002
405-CT	Dummy	30 Lbs	10 Pcs	Item No.	KA6053	KA6051	KA6058	KA6056	KA6050	KA6057	KA6054	KA6052
410-CT	Double Cylinder	35 Lbs	10 Pcs	Item No.	KA6103	KA6101	KA6108	—	KA6100	KA6107	KA6104	KA6102

## FUNCTIONS



Extension Kits Available

