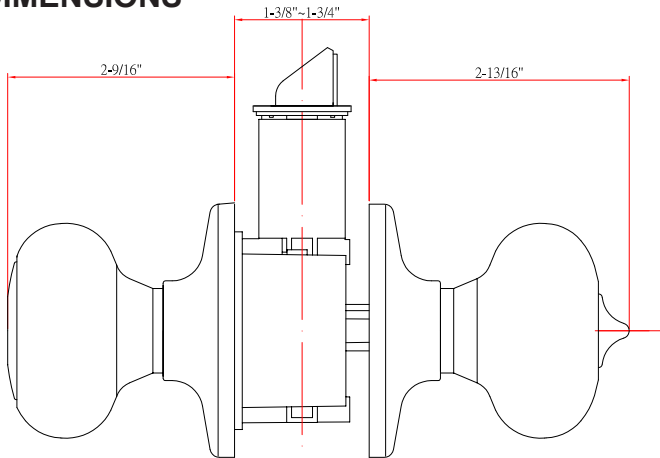


# SAXON GRADE 2

**CALLAN**  
Grade 2 Residential High Security

## DIMENSIONS

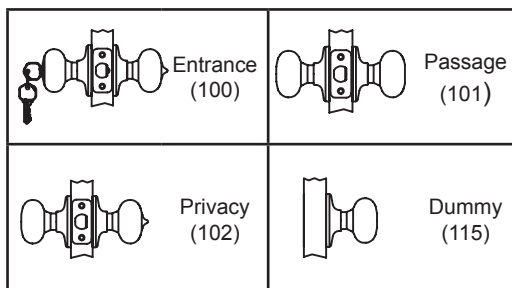


## STANDARD SPECIFICATIONS

<b>Door Prep</b>	Cross bore: 2-1/8" Edge bore: 1" Latch face: 1" x 2-1/4"	<b>Latches</b>	Entrance: 2-3/8" & 2-3/4" adjustable (C9060 R/S) Passage/Privacy: 2-3/8" & 2-3/4" adjustable (C9064 R/S) Faceplate: 1" x 2-1/4" Rd. & Sq. corner Bolt: 1/2" throw
<b>Backset</b>	Fits 2-3/8" and 2-3/4"	<b>Strikes</b>	1-3/4" x 2-1/4" full lip Rd. & Sq. corner (9103 & 9102). Includes Reinforcement Plate.
<b>Door Thickness</b>	1-3/8" ~ 1-3/4" door standard 2-1/4" Ext. Kit available	<b>Wood Screws</b>	Combination screws that suit both wood or metal door mounting. Includes 3" Security Screws.
<b>Cylinder</b>	SC1 5-pin standard; KW1 5-pin optional Entries packed KA5	<b>Grade 2 Features</b>	<ul style="list-style-type: none"> <li>Protective collar</li> <li>Interlocking installation guides</li> <li>Reinforced spring assembly</li> </ul>

Model	Function	WT/ LB	CTN QTY		US3 Bright Brass	US15 Satin Nickel	US10BE Edged Bronze	US5 Antique Brass	Black
100T-SA-G2	Entrance	16 Lbs	10 Pcs	Item No.	G2KS1003	G2KS1001	G2KS1007	G2KS1005	G2KS1004
101T-SA-G2	Passage	13 Lbs	10 Pcs	Item No.	G2KS1013	G2KS1011	G2KS1017	G2KS1015	G2KS1014
102T-SA-G2	Privacy	13 Lbs	10 Pcs	Item No.	G2KS1023	G2KS1021	G2KS1027	G2KS1025	G2KS1024
115-SA	Dummy	9 Lbs	20 Pcs	Item No.	KS1053	KS1051	KS1057	KS1055	KS1054
300T-SA-G2	Combo	35 Lbs	10 Pcs	Item No.	—	G2KS1001	G2KS1007	—	G2KS1004

## FUNCTIONS



Extension Kits Available



**DELANEY**<sup>®</sup>

Copyright © DELANEY HARDWARE. All rights reserved.