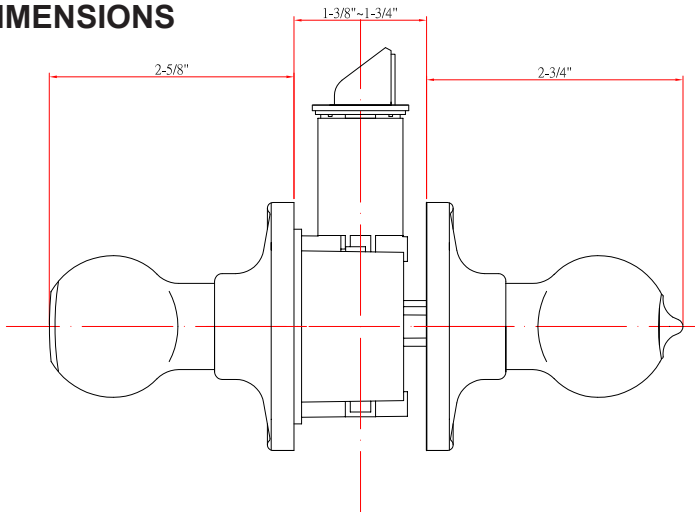


CARLYLE® GRADE 2

CALLAN®

Grade 2 Residential High Security

DIMENSIONS

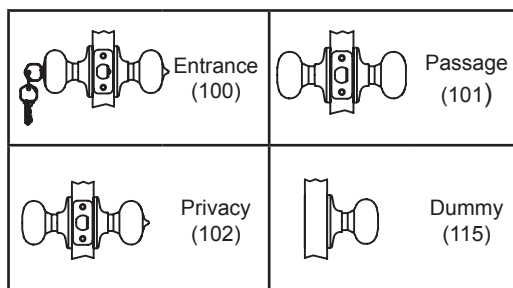


STANDARD SPECIFICATIONS

Door Prep	Cross bore: 2-1/8" Edge bore: 1" Latch face: 1" x 2-1/4"	Latches	Entrance: 2-3/8" & 2-3/4" adjustable (C9060 R/S) Passage/Privacy: 2-3/8" & 2-3/4" adjustable (C9064 R/S) Faceplate: 1" x 2-1/4" Rd. & Sq. corner Bolt: 1/2" throw
Backset	Fits 2-3/8" and 2-3/4" 2-1/4" Ext. Kits available.	Strikes	1-3/4" x 2-1/4" full lip Rd. & Sq. corner (9103 & 9102). Includes Reinforcement Plate.
Door Thickness	1-3/8" ~ 1-3/4" door standard 2-1/4" Ext. Kit available	Wood Screws	Combination screws that suit both wood or metal door mounting. Includes 1-1/2" Security Screws
Cylinder	SC1 5-pin standard ; KW1 5-pin optional Entries packed KA5	Grade 2 Features	<ul style="list-style-type: none"> Protective collar Interlocking installation guides Reinforced spring assembly

Model	Function	WT/LB	CTN QTY	US3 Bright Brass			US15 Satin Nickel		US10BE Edged Bronze	
				Item No.	Item No.	Item No.	Item No.	Item No.	Item No.	
100T-CA-G2	Entrance	17 Lbs	10 Pcs	G2KE1003	G2KE1001	G2KE1007				
101T-CA-G2	Passage	14 Lbs	10 Pcs	G2KE1013	G2KE1011	G2KE1017				
102T-CA-G2	Privacy	14 Lbs	10 Pcs	G2KE1023	G2KE1021	G2KE1027				
115-CA	Dummy	9 Lbs	20 Pcs	KE1053	KE1051	KE1057				

FUNCTIONS



Extension Kits Available



DELANEY®

Copyright © DELANEY HARDWARE. All rights reserved.