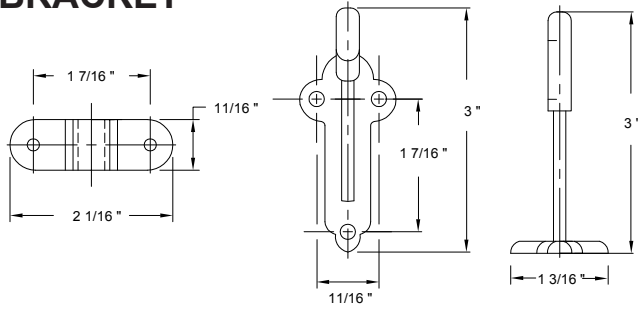


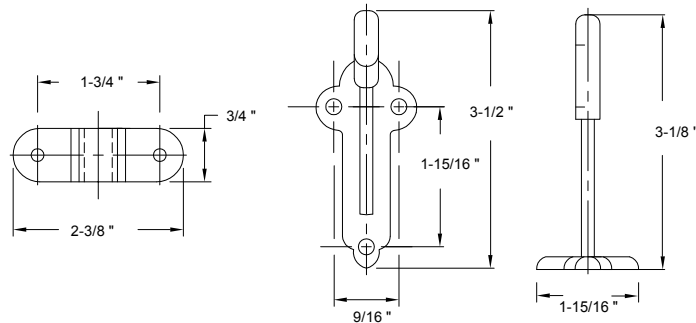
### 3" HANDRAIL BRACKET



Base Metal: Zinc

	Description	Finish	Item No.	CTN QTY	WT/ CTN
	3" Handrail Bracket	US3	406102	100	17 Lbs
	3" Handrail Bracket	US26	406105	100	17 Lbs
	3" Handrail Bracket	US15A	406107	100	17 Lbs
	3" Handrail Bracket	US15	406106	100	17 Lbs
	3" Handrail Bracket	US10B	406110	100	17 Lbs

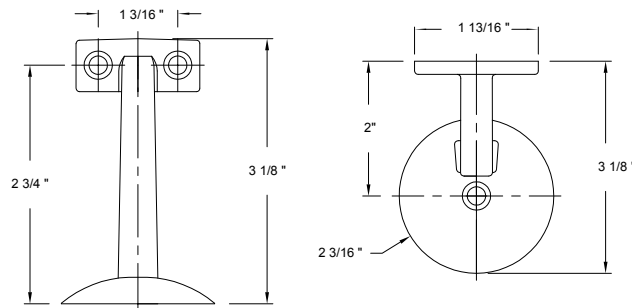
### 3 1/2" H.D. HANDRAIL BRACKET



Base Metal: Zinc

	Description	Finish	Item No.	CTN QTY	WT/ CTN
	3 1/2" Heavy Duty Hand Rail Bracket	US3	406152	100	17 Lbs
	3 1/2" Heavy Duty Hand Rail Bracket	US15	406159	100	17 Lbs
	3 1/2" Heavy Duty Hand Rail Bracket	US10B	406150	100	17 Lbs
	3 1/2" Heavy Duty Hand Rail Bracket	Black	406154	100	17 Lbs

### DECORATIVE HANDRAIL BRACKET



Base Metal: Zinc

	Description	Finish	Item No.	CTN QTY	WT/ CTN
	Decorative Hand Rail Bracket	US15	406111	10	3 Lbs
	Decorative Hand Rail Bracket	US10B	406118	10	3 Lbs
	Decorative Hand Rail Bracket	Black	406114	10	3 Lbs



**DELANEY**

Copyright © DELANEY HARDWARE. All rights reserved.