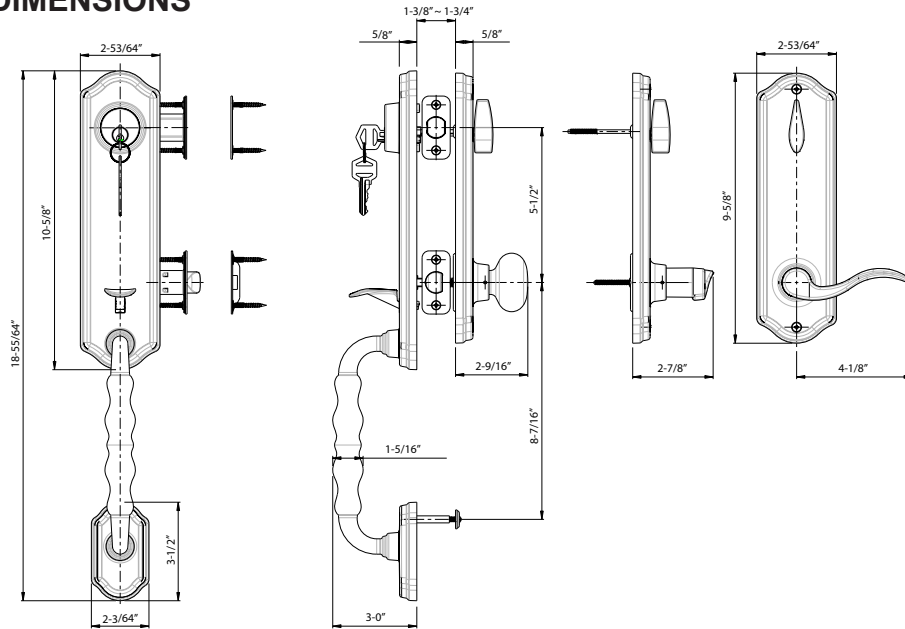


HATHAWAY®

TRADITIONAL COLLECTION



DIMENSIONS



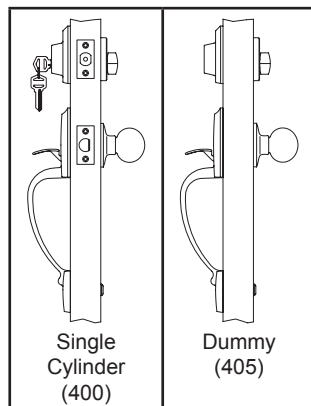
SPECIFICATIONS

Door Prep	Cross bore: 2-1/8" Edge bore: 1" Latch face: 1" x 2-1/4" Mounting (center to center): 5-1/2"	Latches	Deadbolt: 2-3/8 and 2-3/4 adjustable (9092) Faceplate: 1" x 2-1/4" round corner Bolt: Brass with hardened steel rod, full 1" throw Handle: 2-3/8" & 2-3/4" adjustable (9079R) Faceplate: 1" x 2-1/4" round corner Bolt: 1/2" Solid Brass throw
Backset	Fits 2-3/8" and 2-3/4"	Strikes	Deadbolt: Round corner (9117 & 9113) Handle: Full lip round corner (9103)
Door Thickness	1-3/8" ~ 1-3/4" door standard. Ext. Kits available	Wood Screws	Combination screws that suit both wood or metal door mounting.
Cylinder	KW1 5-pin standard. SC1 5-pin Optional. Handlesets packed KD	Door Handing	Specify handing when ordering lever as Interior Option
Interconnected	400 Single Cylinder Handleset only		

PRICING *Handleset Pricing includes Interior Knob or Lever. Specify when ordering.

Model	Function	WT/CTN	CTN QTY	US15 Satin Nickel		US12P Tuscany Bronze	
				Item No.	List Price	Item No.	List Price
400-HT	Single Cylinder	18 Lbs	2 Pcs	D50900		D50912	
405-HT	Dummy	16 Lbs	2 Pcs	D50901		D50957	

FUNCTIONS



INTERIOR OPTIONS

